

VAILLANT SPARE PART CATALOGUE

Wall-hung heating boilers

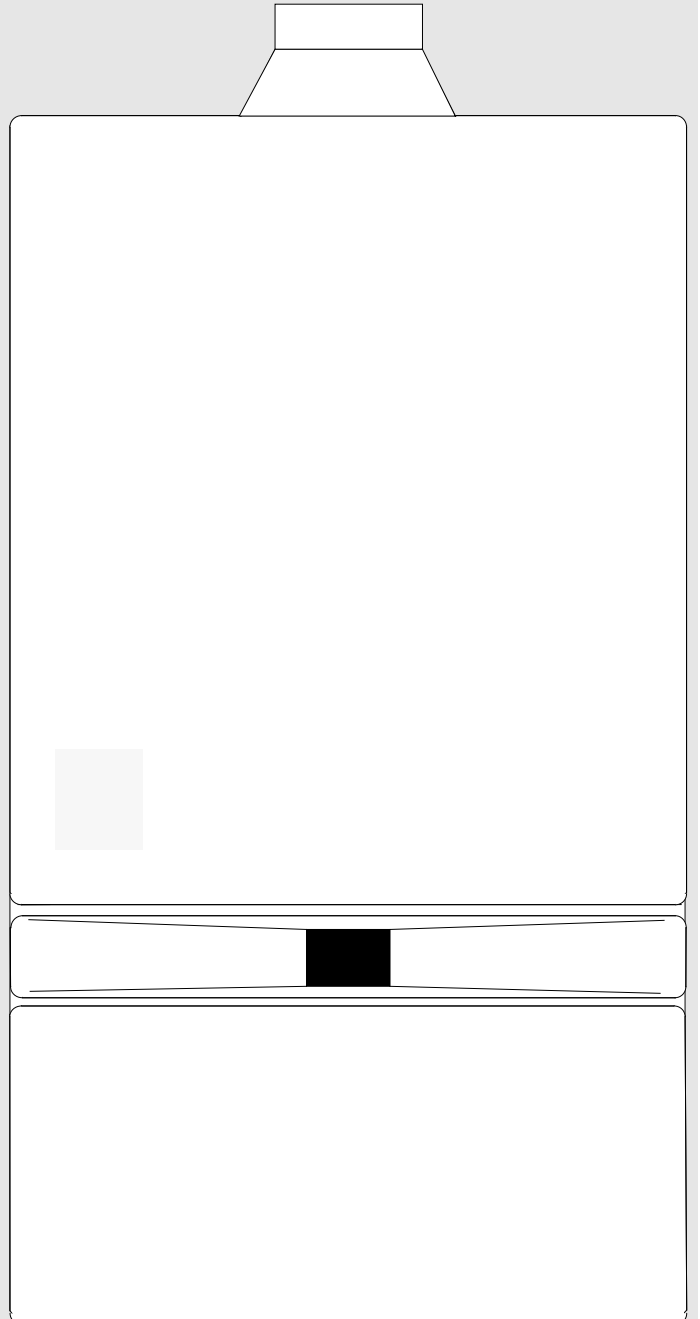
VC 8,10, VC 15,20,25-/1 T3 W

VCW 15,20,25-/1 T3 W

(conventional flue)

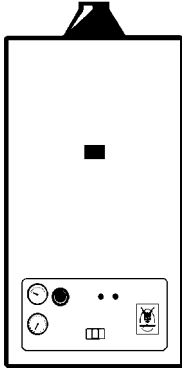
VC-VCW-sine 18 T3 W

(balanced flue)

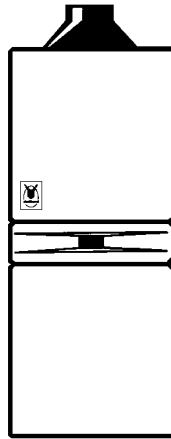


8025 69 GB 09/96

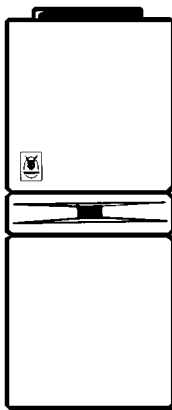
View of appliances



VC 8
VC 10



VC 15,20,25/-1 T3 W
VCW 15,20,25/-1 T3 W

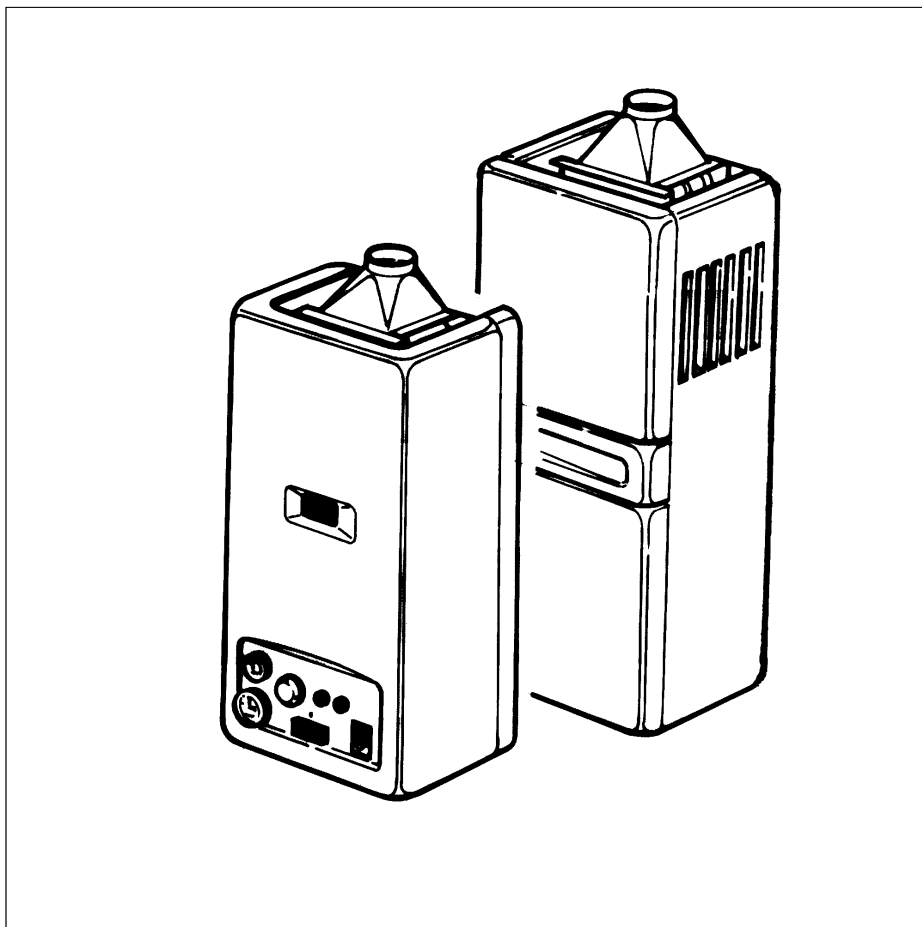


VC-sine 18 T3 W
VCW-sine 18 T3 W

Content

	Page
General view sheets	3 - 6
Main component 01 Water valve	7 - 9
Main component 02 Gas valve	11 - 15
Main component 03 Gas quantity governor, Connection piece	17 - 19
Main component 04 Burner, pilotburner	21 - 29
Main component 06 Heat exchanger	31 - 33
Main component 07 Casing parts	35 - 43
Main component 08 Connection parts, Acc.-connection parts	45 - 51
Main component 11 Solenoid	53 - 55
Main component 12 Switch box	57 - 59
Main component 13 Control box	61 - 67
Main component 14 Flow switch	69 - 73
Main component 16 Pump	75 - 77
Main component 18 Expansion vessel	79 - 81

General view sheets



VC 8,10

VC-VCW 15,20,25-/1 T3 W

VC-VCW-sine 18 T3 W

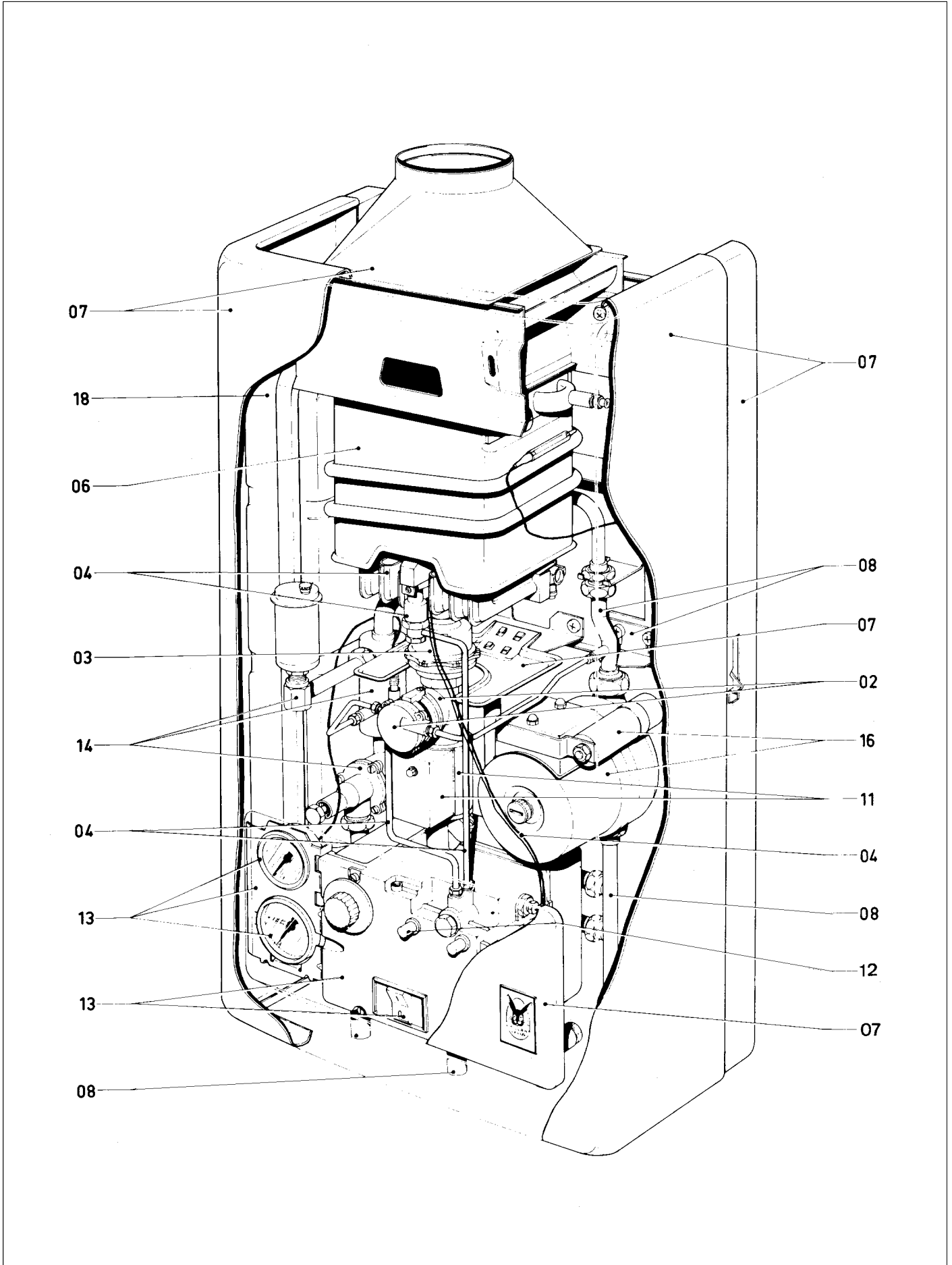
Page

4

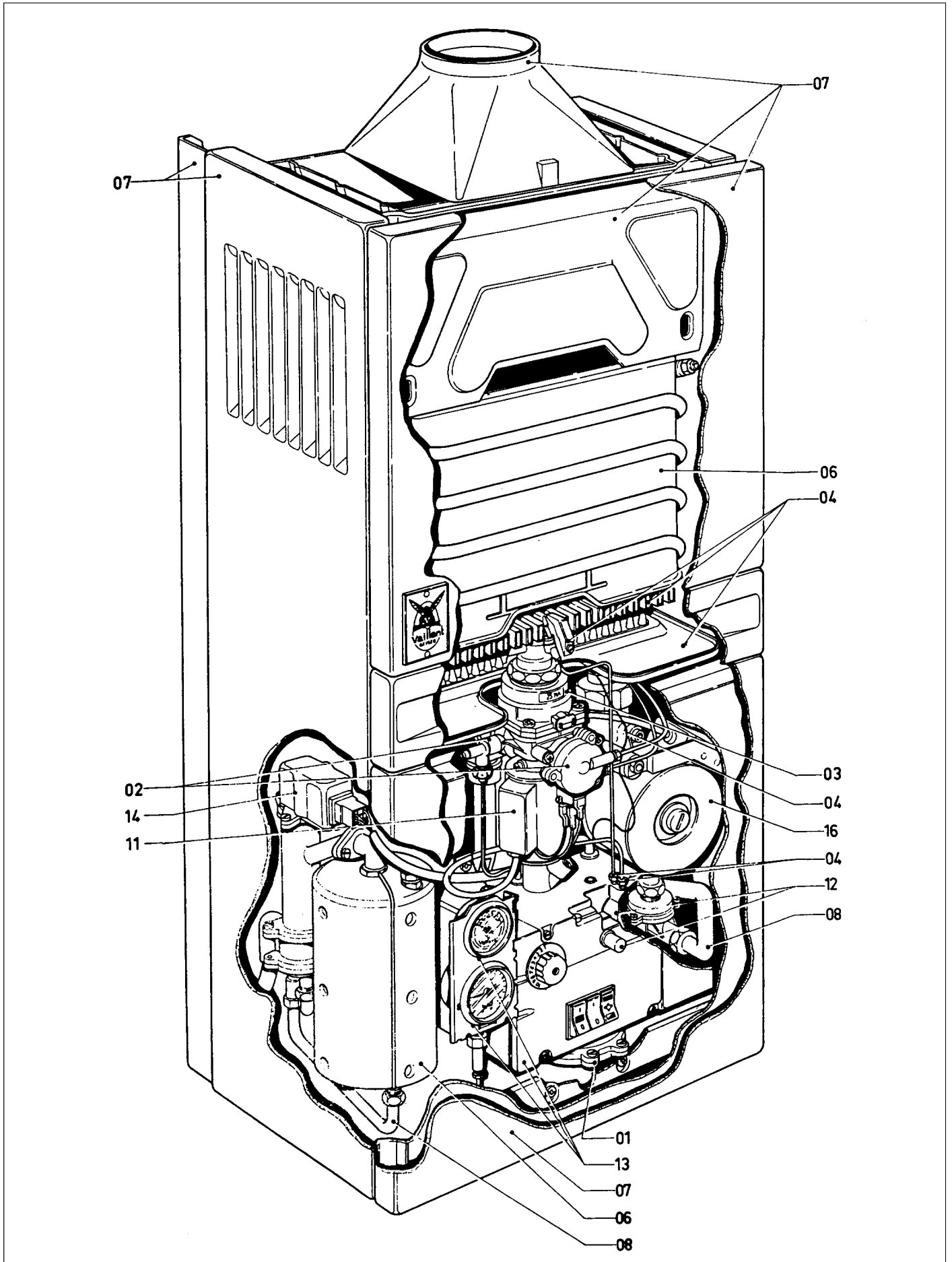
5

6

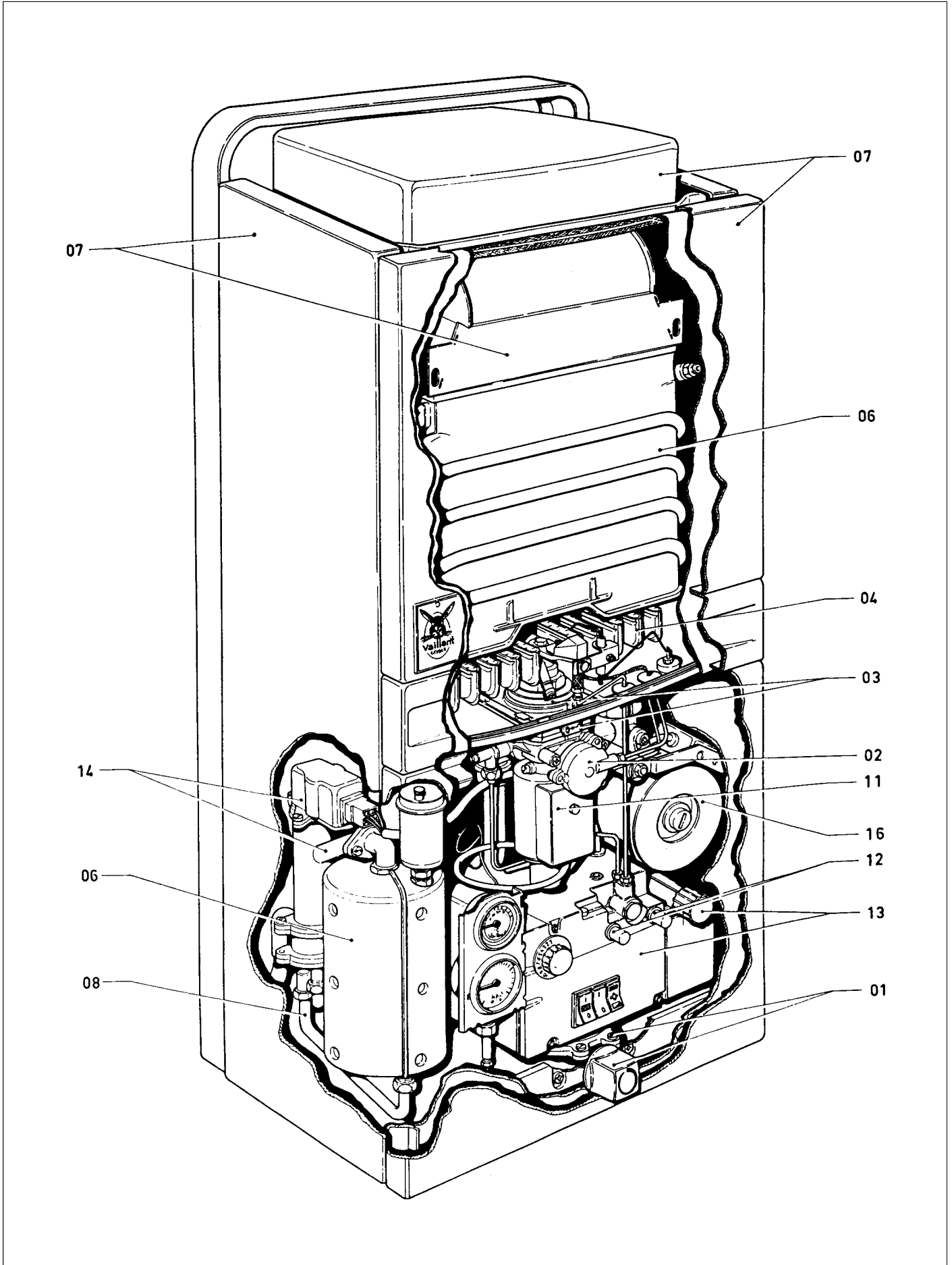
General view sheets VC 8,10



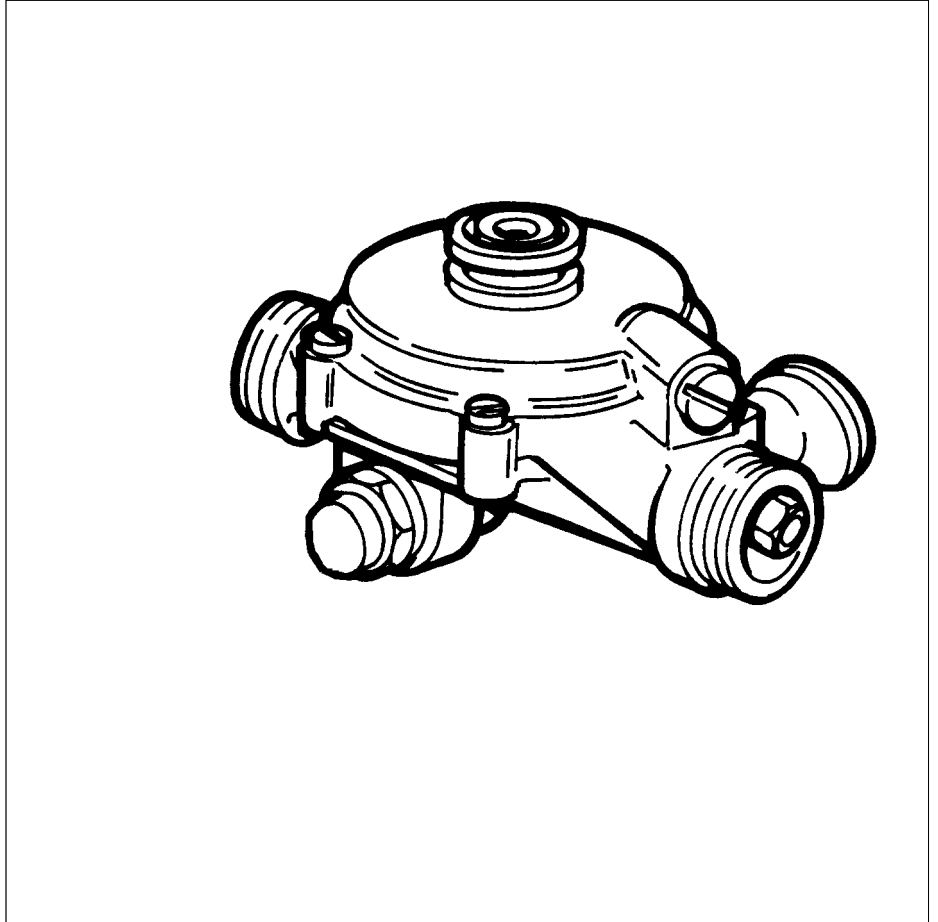
General view sheets VC-VCW 15,20,25-/1 T3 W



General view sheets VC-VCW-sine 18 T3 W



Main component 01

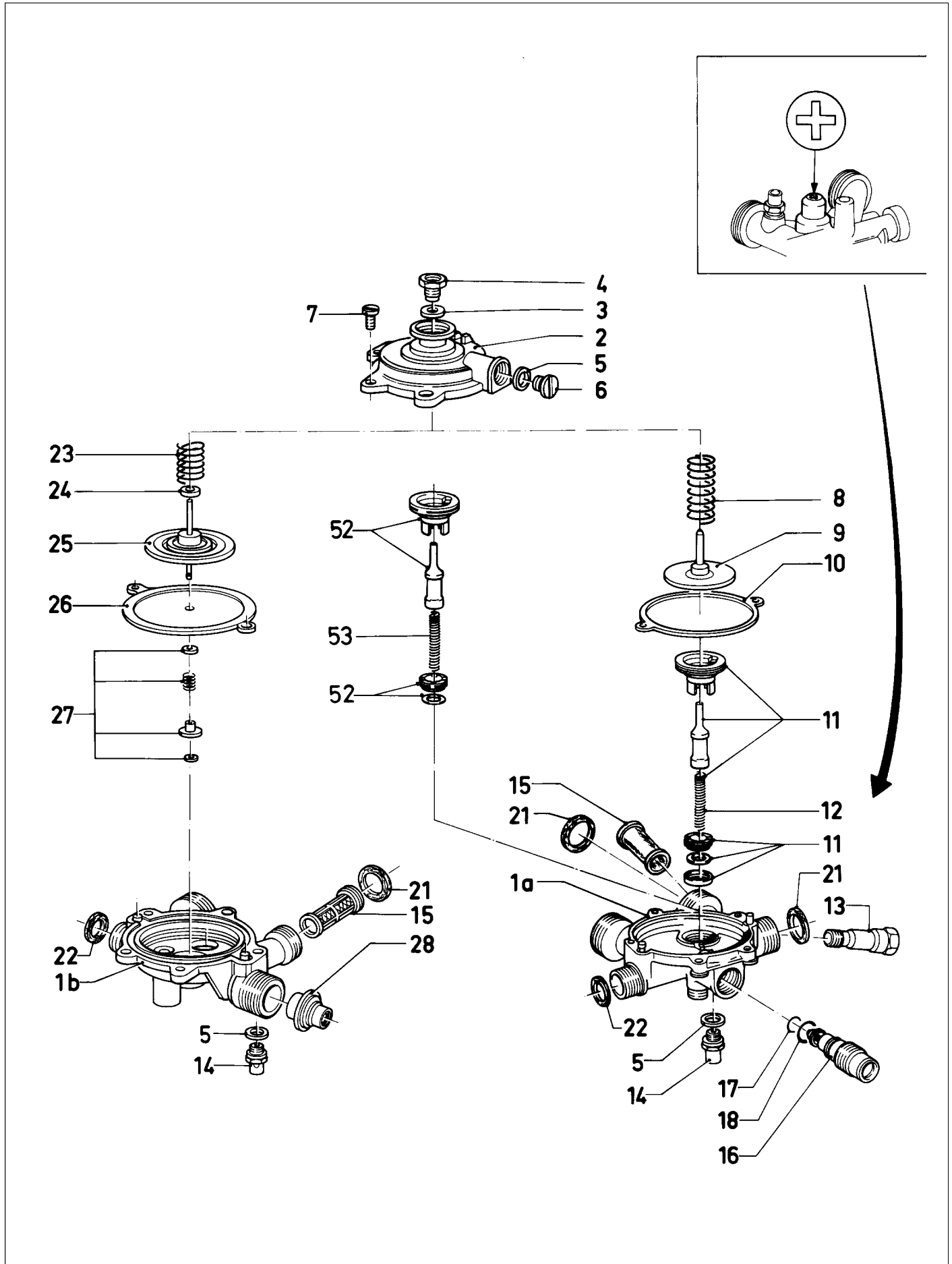


Water valve
VCW 15,20,25-/1 T3 W, VCW-sine 18 T3 W

Page

8 - 9

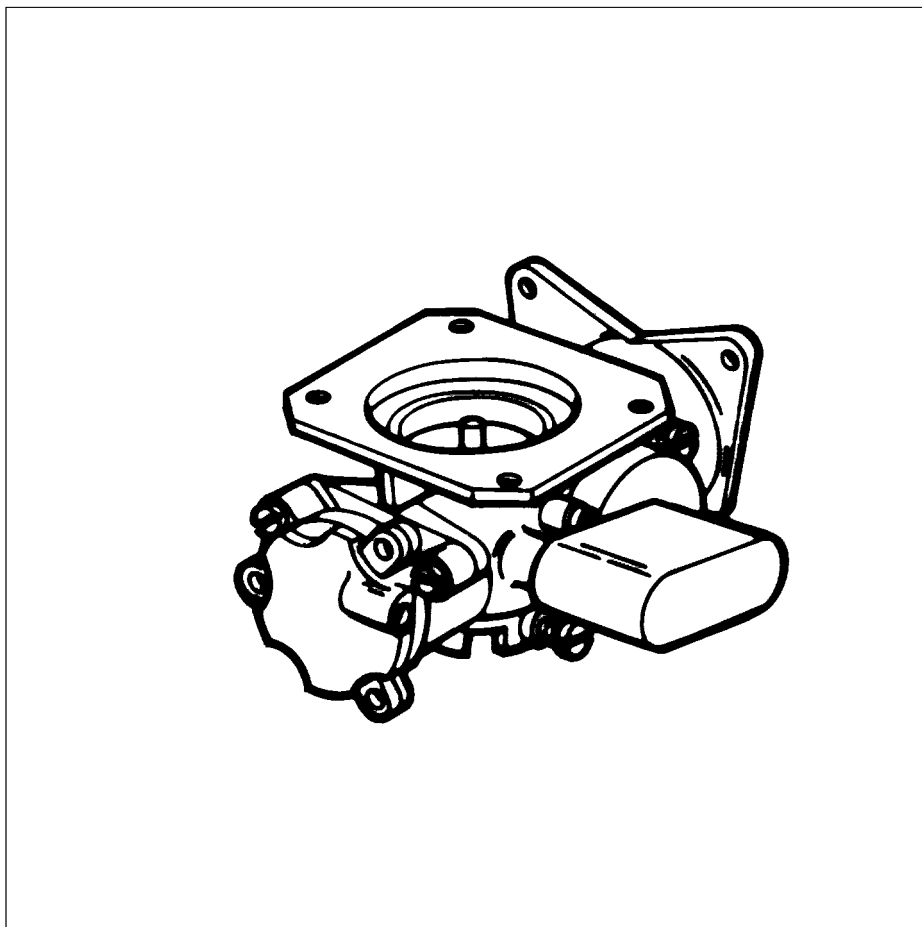
Main component 01 Water valve
VCW 15,20,25-/1 T3 W, VCW-sine 18 T3 W



Main component 01 Water valve VCW 15,20,25-/1 T3 W, VCW-sine 18 T3 W

Pict. No.	Article-No.	Part	Indic.	Type, Remarks
1a	01-1243 01-1244 01-1239	water valve, cpl. water valve, cpl. water valve, cpl.		VCW 15 VCW 20, sine 18 VCW 25 } supplied with parts 2-7,14,15,23-27
1b	01-1156	water valve, cpl.		supplied with parts 2-18,21,22 Note: part 1A + 1B are interchangeable without the use of part 28.
2	01-3014	top section		supplied with parts 3,4
3	98-1506	packingring		
4	01-2156	stuffing box		green plastic inset
5	98-1506	packingring		
6	01-0050	screw		
7	01-0003	diaphragm screw		
8	10-4263	spring		
9	01-0007	diaphragm disc		
10	01-0312	diaphragm		
11	01-2944	water quantity regulator		} only for water valves with distinctive mark " + " on underneath part!!
12	10-4267	spring		
13	01-2837	venturi	ø 2,40	VCW 15, 20, sine 18
	01-0020	venturi	ø 3,32	VCW 25
14	01-2629	overpressure valve		
15	01-0053	water filter		
16	01-2668	valve		VCW 15 VCW 20, sine 18 VCW 25 } supplied with parts 17,18
	01-2667	valve		
	01-2666	valve		
17	98-0305	packingring		
18	98-0149	o-ring		
21	98-1511	packingring		
22	98-1755	packingring		
23	01-0009	spring		
24	19-1367	disc		
25	01-0426	diaphragm disc		} only for type 1b
26	01-0318	diaphragm		
27	08-8617	fastening set		
28	01-2928	water quantity regulator		VCW 15
	01-2931	water quantity regulator		VCW 20, sine 18
	01-2938	water quantity regulator		VCW 25
52	01-2947	water quantity regulator		
53	01-0081	spring		
-	01-0099	knob		not shown, for T3 appliances only

Main component 02



Gas valve
VC 8,10

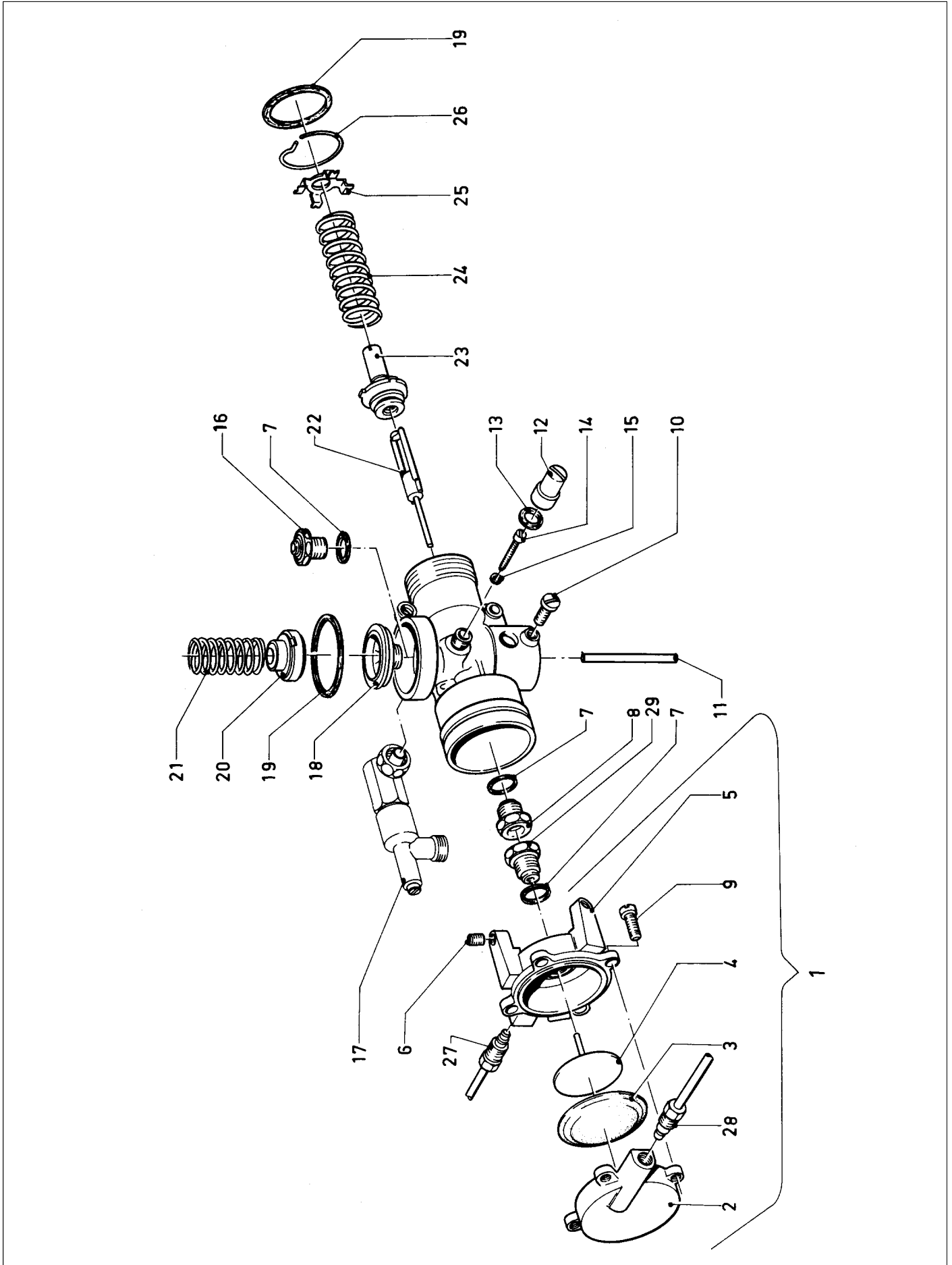
Page

12 - 13

Gas valve
VC-VCW 15,20,25-/1 T3 W, VC-VCW-sine 18 T3 W

14 - 15

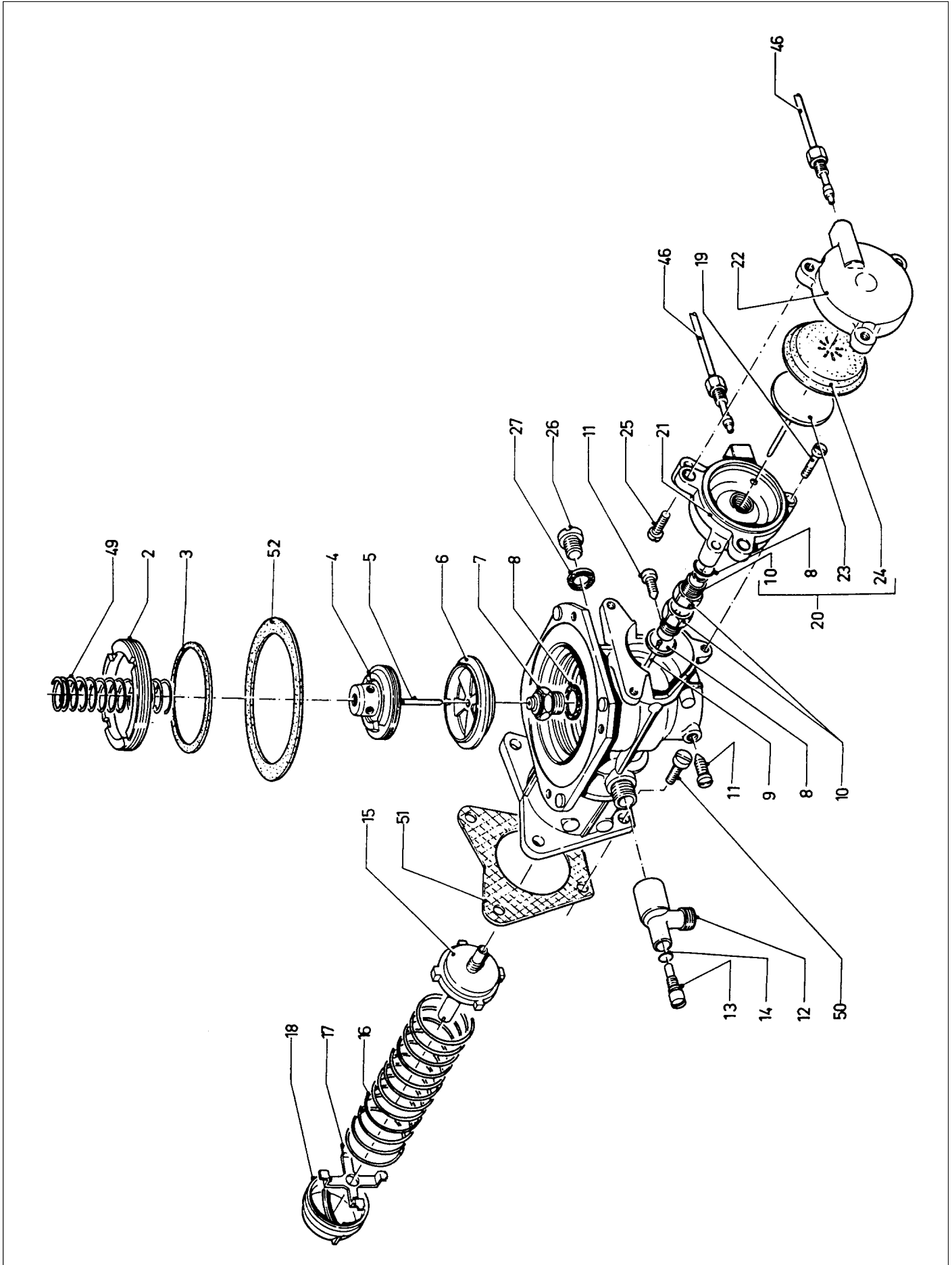
Main component 02 Gas valve
VC 8,10 H,B



Main component 02 Gas valve VC 8,10 H,B

Pict. No.	Article-No.	Part	Indic.	Type, Remarks
				H = natural gas, B = LP-gas
-	-	gas valve, cpl.		VC 8 (no longer available)
	02-1113	gas valve, cpl.		VC 10 H } supplied with parts 1-16,18-20,22-26
	02-1114	gas valve, cpl.		VC 10 B }
1	15-1005	flow switch		supplied with parts 2-9
2	-	single delivery not possible		supplied with part 15-1005
3	02-0220	diaphragm		
4	01-0456	diaphragm disc		
5	-	single delivery not possible		supplied with part 15-1005
6	04-0212	thread pin		
7	98-0223	packingring		
8	01-0011	stuffing box		
9	06-0010	screw		
10	11-8874	screw		
11	02-0158	pin		
12	02-0072	cap		
13	98-0224	packingring		
14	02-0071	screw		
15	98-0311	packingring		
16	02-0047	stuffing box		
17	-	pilot gas filter		see main component 04
18	02-0512	valve seat		
19	98-0221	packingring		
20	02-0716	water deficiency valve cpl.	48	VC 8 H
	02-0720	water deficiency valve cpl.	47	VC 8 B
	02-0774	valve disc	64 W	VC 10 H
	02-0776	valve disc	46 W	VC 10 B
21	02-0254	spring		
22	02-0137	slide bar		
23	-	single delivery not possible		see gas valve, cpl.
24	10-4108	spring		
25	12-4418	spring seat		
26	02-0083	spring ring		
27	08-4231	flow switch conduction		
28	084217	flow switch conduction		

Main component 02 Gas valve
VC-VCW 15,20,25-/1 T3 W, VC-VCW-sine 18 T3 W

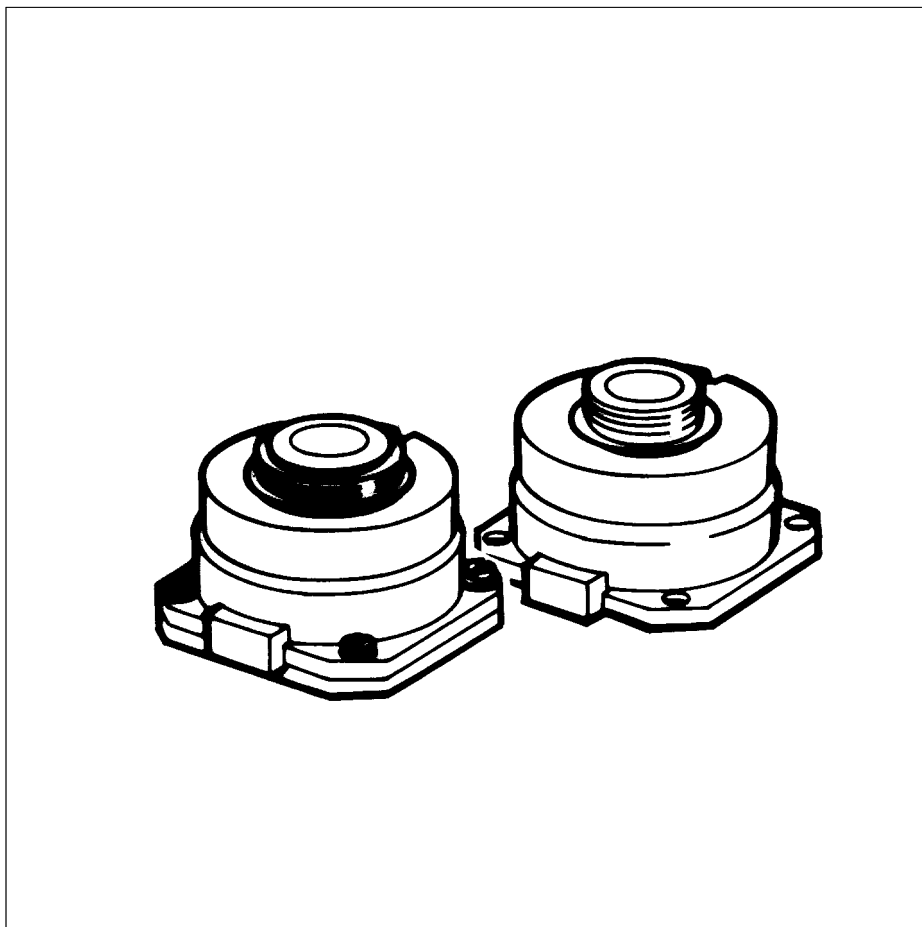


Main component 02 Gas valve

VC-VCW 15,20,25-/1 T3 W, VC-VCW-sine 18 T3 W

Pict. No.	Article-No.	Part	Indic.	Type, Remarks
				H = natural gas, B = LP-gas
1	02-1110 02-1154	gas valve, cpl. gas valve, cpl.		H } B } supplied with parts 2-27
2	14-7610	regulating screw		
3	98-1516	packingring		
4	02-0746 02-0761	water deficiency valve water deficiency valve		H B
5	02-0158	pin		
6	02-0054	valve seat		
7	02-0047	stuffing box		
8	98-1506	packingring		
9	12-8074	pin		
10	01-0011	stuffing box		
11	11-8874	screw		
12	02-0023	pilot gas filter		supplied with parts 13,14
13	11-0004	screw		supplied with part 14
14	98-0290	packingring		
15	-	single delivery not possible		see gas valve, cpl.
16	02-0138	spring		
17	12-4433	spring seat		
18	10-8918	gas filter		
19	10-5780 11-8948	screw screw		for flow switch (brass) for flow switch (black plastic)
20-23	15-1010 15-1017	pressure diff. switch pressure diff. switch		(brass) supplied with parts 8,10,24,25 (black plastic) supplied with parts 8,10,24,25
24	02-0220	diaphragm		
25	06-0010	screw		
26	02-0087	screw		
27	98-0202	packingring		
46	08-4220 08-4269 08-4229 08-4296 15-4133 98-2490	flow switch connection flow switch connection flow switch connection flow switch connection bow packingring	screw fit push fit screw fit push fit	for flow switch (brass) } VC-VCW 15,20,25 (incl. sine) for flow switch (black plastic) } for flow switch (brass) } VC-VCW-sine 18 for flow switch (black plastic) } illustr. see main component 08 for flow switch black plastic (not shown) for flow switch connection (black plastic) not shown

Main component 03



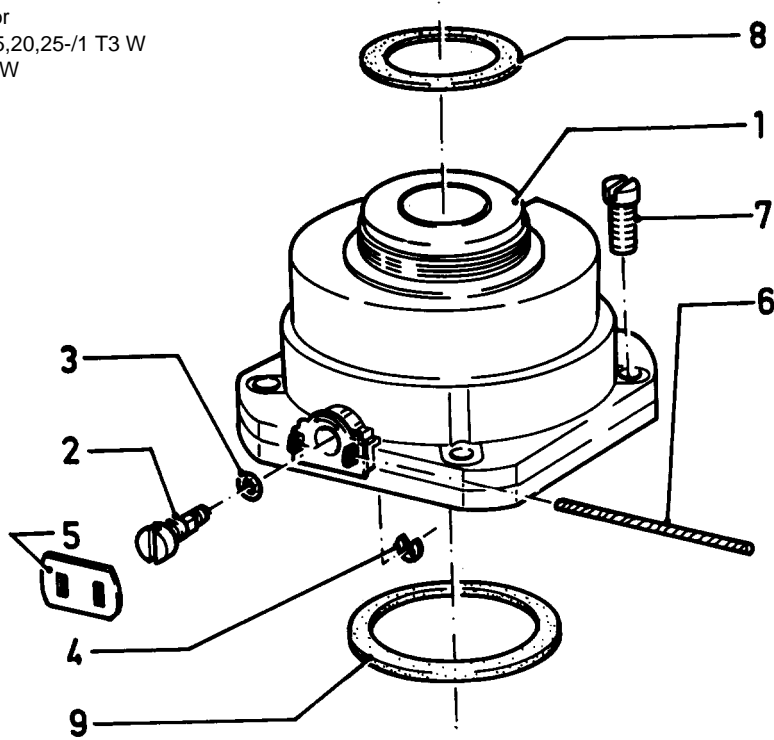
Gas quantity governor, Connection piece
VC 8,10, VC-VCW 15,20,25-/1 T3 W, VC-VCW-sine 18 T3 W

Page

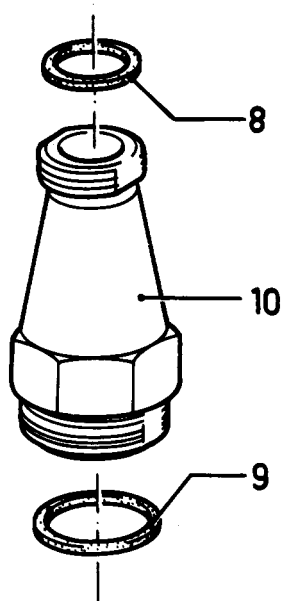
18 - 19

Main component 03 Gas quantity governor, Connection piece
VC 8,10, VC-VCW 15,20,25-/1 T3 W, VC-VCW-sine 18 T3 W

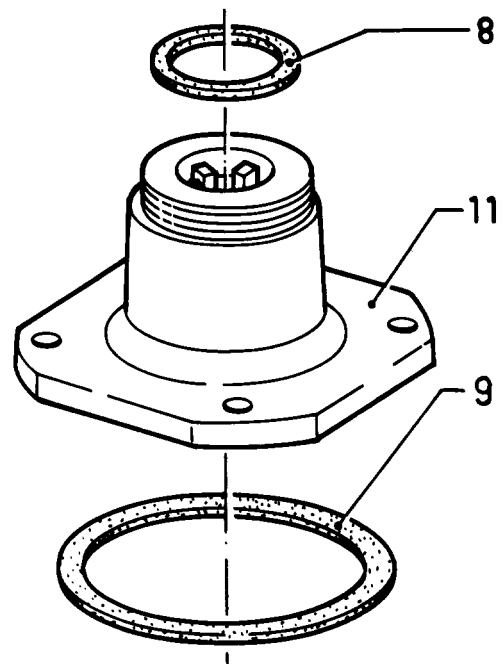
Gas quantity governor
 VC 8,10, VC-VCW 15,20,25-/1 T3 W
 VC-VCW-sine 18 T3 W



Connection piece
 VC 8,10



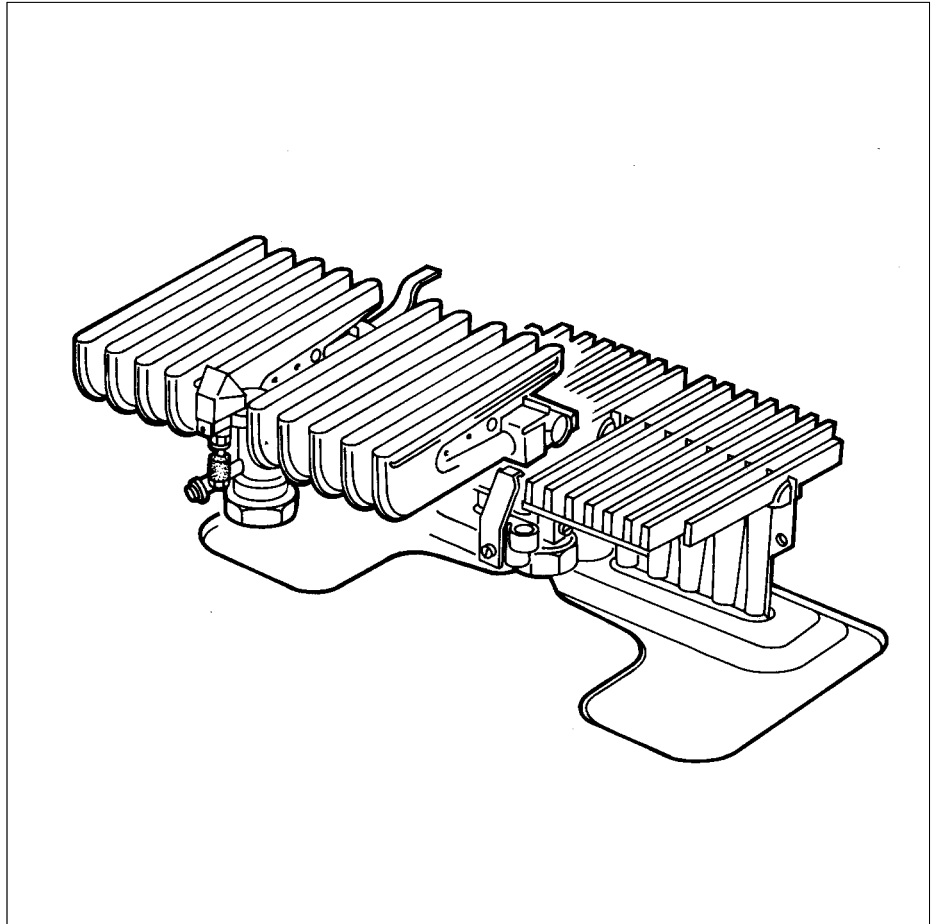
Connection piece
 VC-VCW 15,20,25-/1 T3 W
 VC-VCW-sine 18 T3 W



**Main component 03 Gas quantity governor, Connetion piece
VC 8,10, VC-VCW 15,20,25-/1 T3 W, VC-VCW-sine 18 T3 W**

Pict. No.	Article-No.	Part	Indic.	Type, Remarks
				H = natural gas, B = LP-gas
1	03-1214 03-1215 03-1216 03-1217	gas quantity regulator gas quantity regulator gas quantity regulator gas quantity regulator		VC 8, 10 H VC-VCW 15... H VC-VCW 20... (incl. sine) H VC-VCW 25... H } supplied with parts 2-6,8,9
2	11-3702	plug		
3	98-2447	packingring		
4	04-0186	tension ring		
5	28-3007	locking plate		
6	17-3314	wire		
7	10-5758	screw		
8	98-0222 98-0212 98-0213	packingring packingring packingring		VC 8, 10 VC-VCW 15... VC-VCW 20,25... (incl. sine)
9	98-0221 98-1721	packingring packingring		VC 8, 10 VC-VCW 15,20,25... (incl. sine)
10	08-0094	connection piece		VC 8, 10 B
11	08-4847 08-4846 08-4923	connection piece connection piece connection piece		VC-VCW 15... B VC-VCW 20,25... B VC-VCW-sine 18 B

Main component 04



Burner, pilotburner

VC 8,10 H, B

Page

22 - 23

Burner, pilotburner

VC-VCW 15,20,25-/1 T3 W H,B

24 - 27

Burner, pilotburner

VC-VCW-sine 18 T3 W H,B

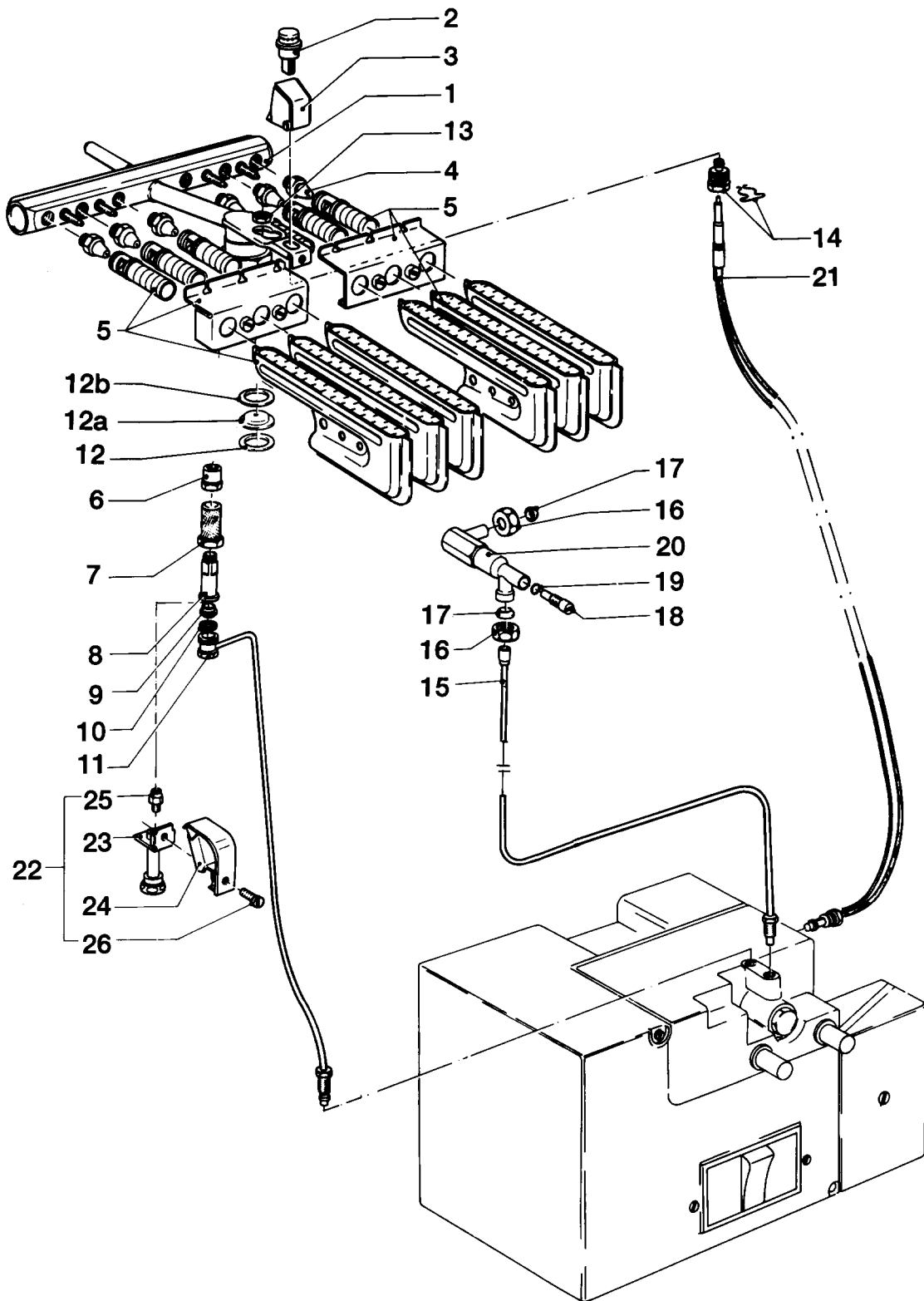
28 - 29

Heat exchanger

VC 8,10, VC-VCW 15,20,25-/1 T3 W, VC-VCW-sine 18 T3 W

32 - 33

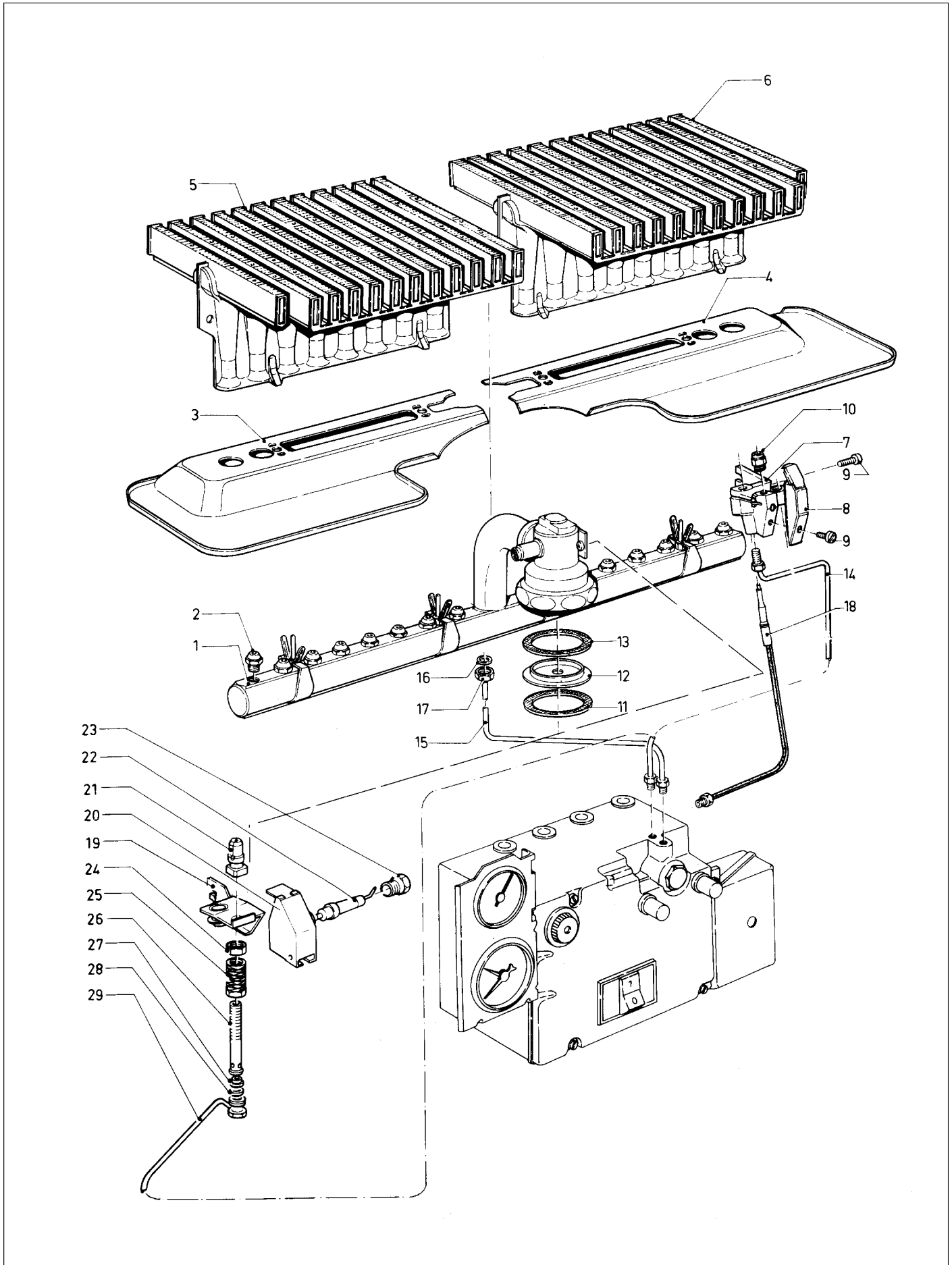
Main component 04 Burner, pilotburner VC 8,10 H, B



Main component 04 Burner, pilotburner VC 8,10 H, B

Pict. No.	Article-No.	Part	Indic.	Type, Remarks
				H = natural gas, B = LP-gas
1	04-1335 04-1332 04-1545	burner burner burner		VC 8,10 H } VC 8 B } supplied with parts 4,5,10,12-14,22-26 VC 10 B }
2-3	-	no longer available		see pict.-no. 22
4	04-0093 04-0101	burner nozzle burner nozzle	ø 1,20 ø 0,70	H B
5	04-2326 04-2317	burner chamber group burner chamber group		H B
6	04-0512	double nut		
7	04-0516	air filter		
8	04-2418	mixing tube		
9	04-0548 04-0550	pilot burner nozzle pilot burner nozzle	ø 0,40 ø 0,18	H B
10	98-0225	packingring		
11	04-3879	pilot burner tube		
12	98-0222	packingring		
12a	04-2574	throttle jet	ø 2,50	VC 10 B
12b	98-0291	packingring		
13	11-4824	nut		
14	17-3101	snap bush,cpl.		
15	04-3703 04-3704	pilot burner tube pilot burner tube		VC 8 H,B, VC 10 H VC 10 B
16	04-0508	sleeve nut		
17	98-0139	packingring		
18	11-0004	screw		supplied with part 19
19	98-0290	packingring		} only VC 8
20	04-3305	pilot gas filter		
21	17-1125	thermo-couple		
22	04-2611 04-2612	pilot burner pilot burner		H } B } supplied with parts 10,23-26
23	04-2930	pilot burner support		
24	07-2310	cap		
25	04-2818 04-2813	pilot burner nozzle pilot burner nozzle	ø 0,34 ø 0,18	H B
26	06-0018	screw		

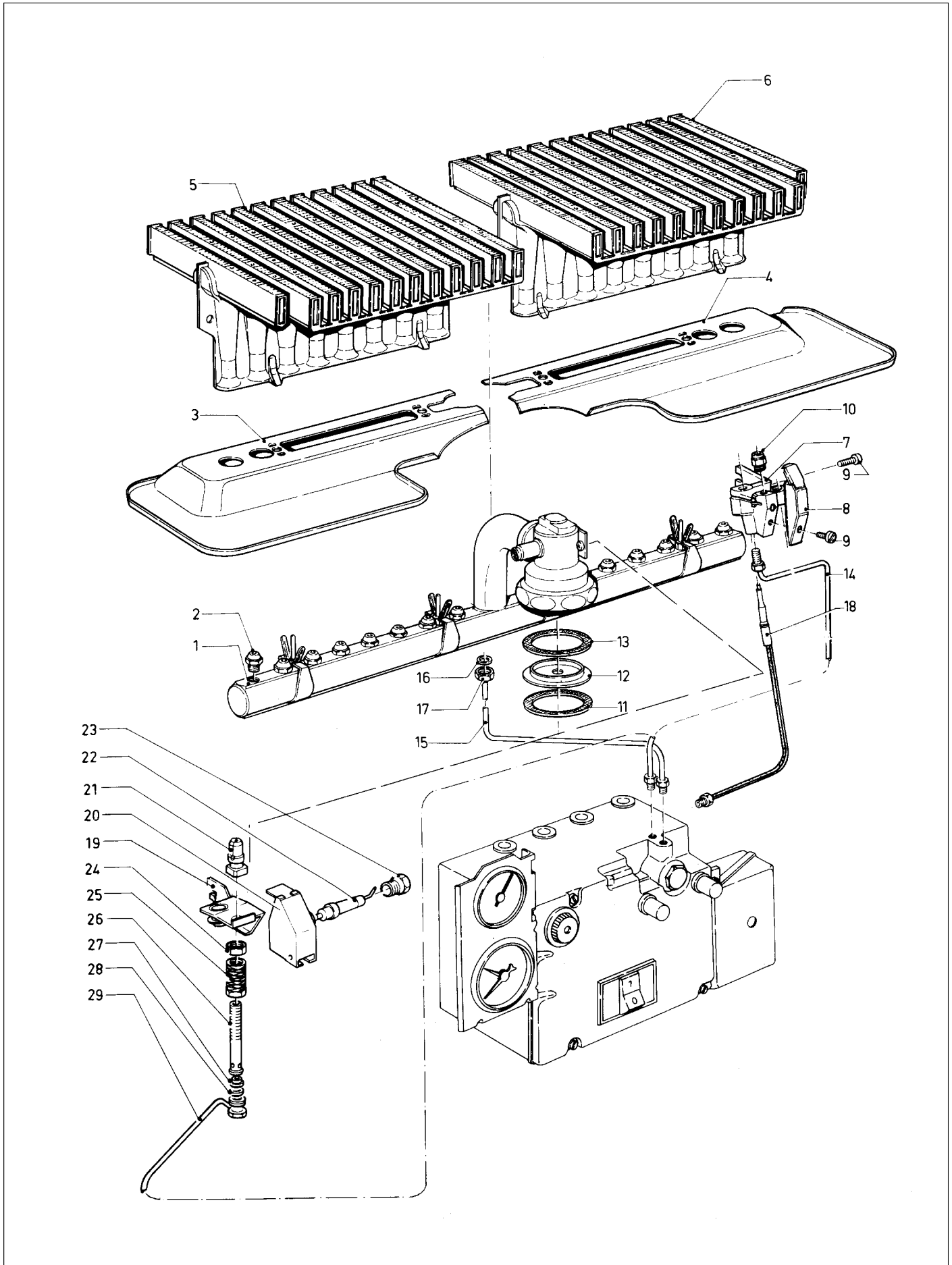
Main component 04 Burner, pilotburner
VC-VCW 15,20,25-/1 T3 W H,B



Main component 04 Burner, pilotburner VC-VCW 15,20,25-/1 T3 W H,B

Pict. No.	Article-No.	Part	Indic.	Type, Remarks
				H = natural gas, B = LP-gas
1	04-4504 04-4544 04-4563 04-4536 04-4564 04-4548	burner burner burner burner burner burner		VC-VCW 15... H VC-VCW 15... B VC-VCW 20... H VC-VCW 20... B VC-VCW 25... H VC-VCW 25... B } supplied with parts 2-6,11
2	24-7140 24-7130 24-7075	burner nozzle burner nozzle burner nozzle	∅ 1,40 ∅ 1,30 ∅ 0,75	VC-VCW 15... H VC-VCW 20,25... H VC-VCW 15,20,25... B
3	07-0917 07-0919 07-0921	collecting sheet collecting sheet collecting sheet		VC-VCW 15... VC-VCW 20... VC-VCW 25...
4	07-0916 07-0918 07-0920	collecting sheet collecting sheet collecting sheet		VC-VCW 15... VC-VCW 20... VC-VCW 25...
5	04-2372 04-2333 04-2374 04-2334 04-2376 04-2336	burner chamber group,left burner chamber group,left burner chamber group,left burner chamber group,left burner chamber group,left burner chamber group,left		VC-VCW 15... H VC-VCW 15... B VC-VCW 20... H VC-VCW 20... B VC-VCW 25... H VC-VCW 25... B
6	04-2373 04-2337 04-2375 04-2338 04-2377 04-2339	burner chamber group,right burner chamber group,right burner chamber group,right burner chamber group,right burner chamber group,right burner chamber group,right		VC-VCW 15... H VC-VCW 15... B VC-VCW 20... H VC-VCW 20... B VC-VCW 25... H VC-VCW 25... B
7-8	04-2952	pilot burner		supplied with part 9
9	06-0018	screw		
10	04-2818 04-2815	pilot burner nozzle pilot burner nozzle	∅ 0,34 ∅ 0,18	H } B } aluminium screw thread
11	98-1515	packingring		
12-13	-	not necessary for british execution		
14	04-3738	pilot burner tube		
15	04-3746	pilot burner tube		
16	98-0139	packingring		
17	04-0508	sleeve nut		
18	17-1125 17-3040	thermo-couple bush		not shown

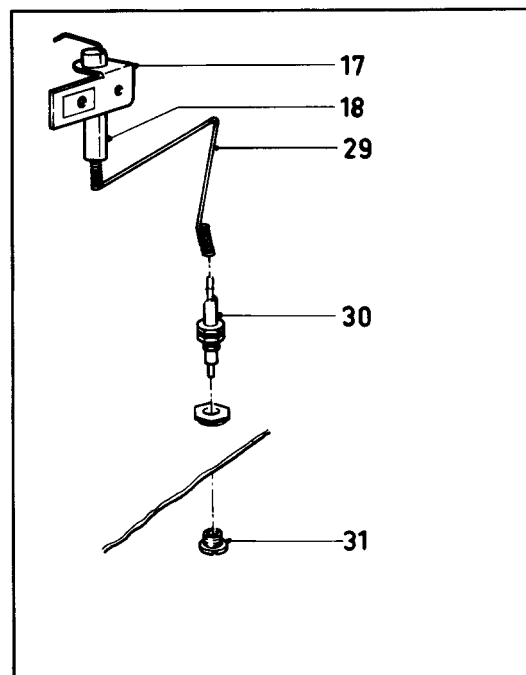
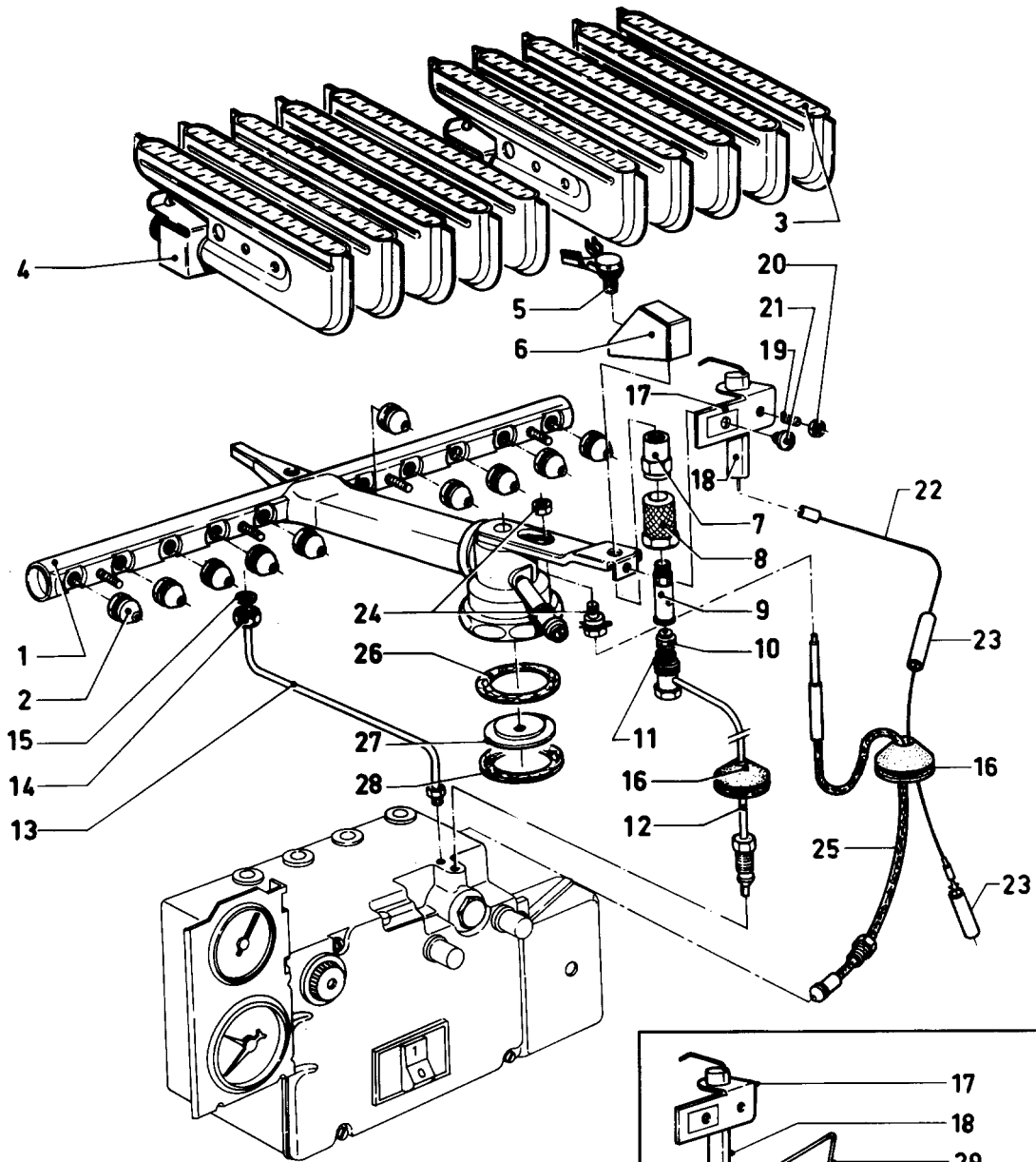
Main component 04 Burner, pilotburner
VC-VCW 15,20,25-/1 T3 W H,B



Main component 04 Burner, pilotburner VC-VCW 15,20,25-/1 T3 W H,B

Pict. No.	Article-No.	Part	Indic.	Type, Remarks
19	04-0865	pilot burner		H } B } supplied with parts 20-29
	04-0869	pilot burner		
20	19-2119	protection sheet		
21	04-0521	pilot burner head		
22	09-0512	ignition plug		
23	18-2618	screw		
24	04-0523	nut		
25	04-0516	air filter		
26	04-0531	mixing tube		H
	04-2418	mixing tube		B
27	04-0548	pilot burner nozzle	ø 0,40	H } B } brass push fit, cermanic insert
	04-2857	pilot burner nozzle	ø 0,23	
28	98-0225	packingring		
29	04-3879	pilot burner tube		

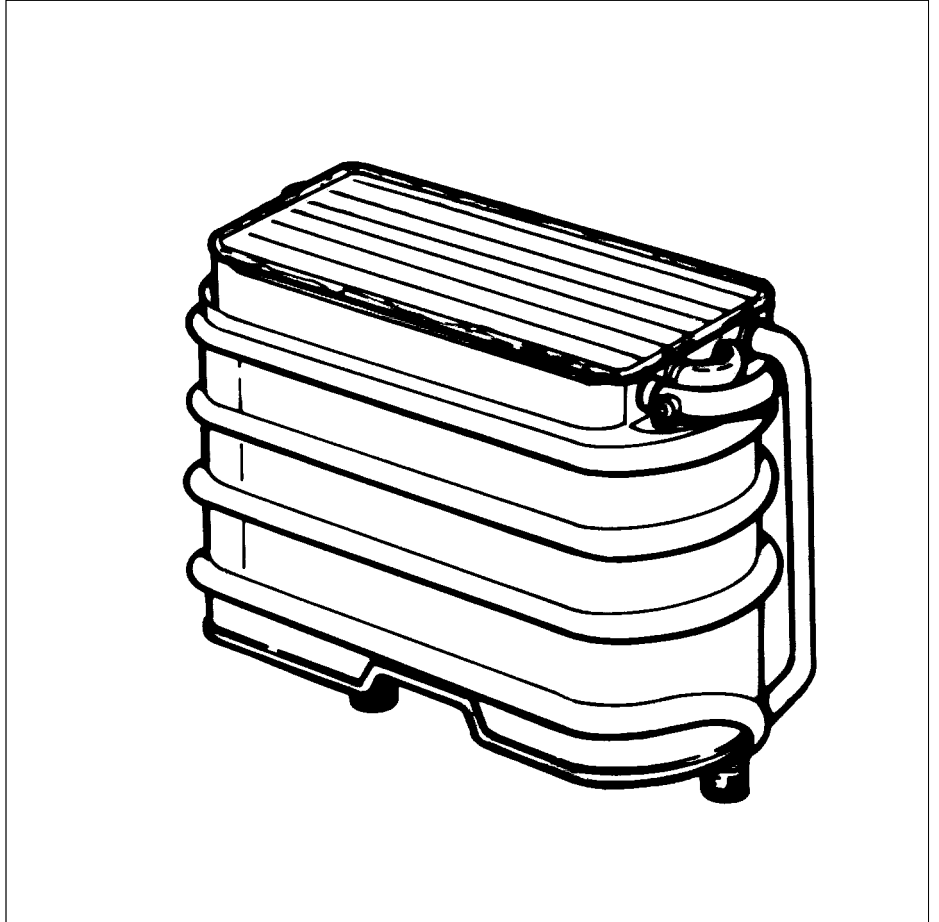
Main component 04 Burner, pilotburner
VC-VCW-sine 18 T3 W H,B



Main component 04 Burner, pilotburner VC-VCW-sine 18 T3 W H,B

Pict. No.	Article-No.	Part	Indic.	Type, Remarks
				H = natural gas, B = LP-gas
1	04-1546 04-1547	burner burner		H } B } supplied with parts 2-7,17-21,24,28
2	04-0084 04-0035	burner nozzle burner nozzle	∅ 1,25 ∅ 0,75	H B
3	04-0172 04-0166	burner chamber group,right burner chamber group,right		H B
4	04-0171 04-0165	burner chamber group,left burner chamber group,left		H B
5-7	04-3009	pilot burner head		supplied with parts 8,9
8	04-0516	air filter		
9	04-2418 04-0536	mixing tube mixing tube		H B
10	04-0548 04-0550	pilot burner nozzle pilot burner nozzle	∅ 0,40 ∅ 0,18	H } B } brass push fit, cermanic insert
11	98-0225	packingring		
12	04-3751	pilot burner tube		
13	04-3746	pilot burner tube		supplied with parts 14,15
14	04-0508	sleeve nut		
15	98-0139	packingring		
16	98-0766	packingring		
17	04-0853 04-0205	ignition device, cpl. support	(only)	H (supplied with parts 18-20,22) B
18	09-0622 04-0192	ignition electrode electrode		H B
19	04-0212	thread pin		
20	06-0013	nut		
21	06-0018	screw		
22-23	08-9549	connection line		
24	17-3101	snap bush,cpl.		
25	17-1125	thermo-couple		
26-27	-	not necessary for british execution		
28	98-1515	packingring		
29-31	-	no longer available		replaced by part number 08-9549

Main component 06



Heat exchanger
VC 8,10, VC-VCW 15,20,25-/1 T3 W, VC-VCW-sine 18 T3 W

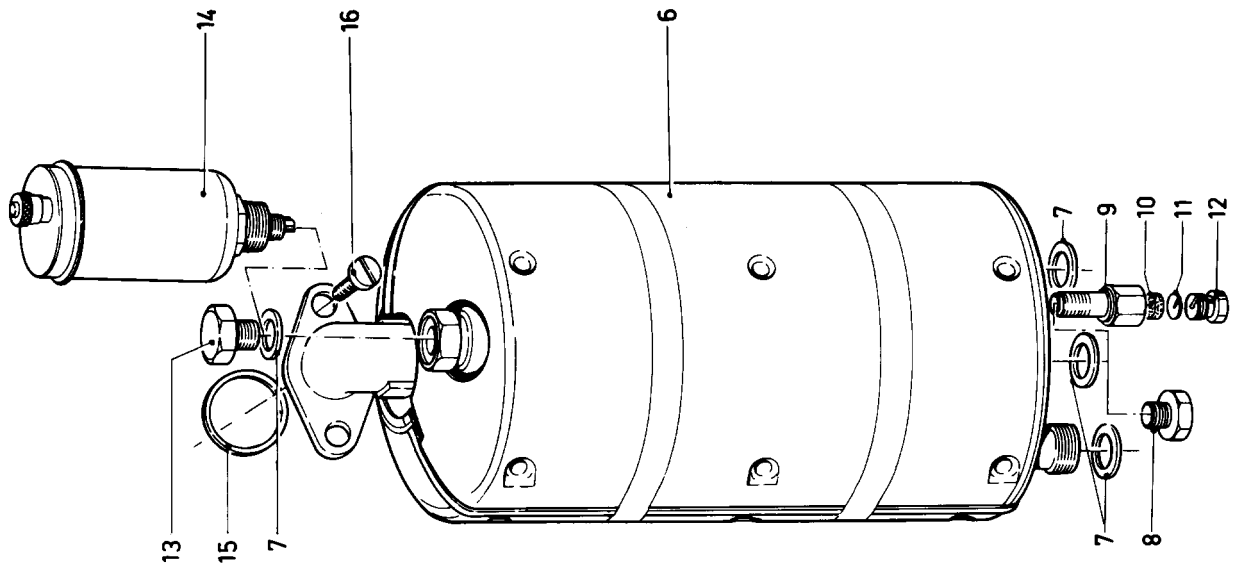
Page

32 - 33

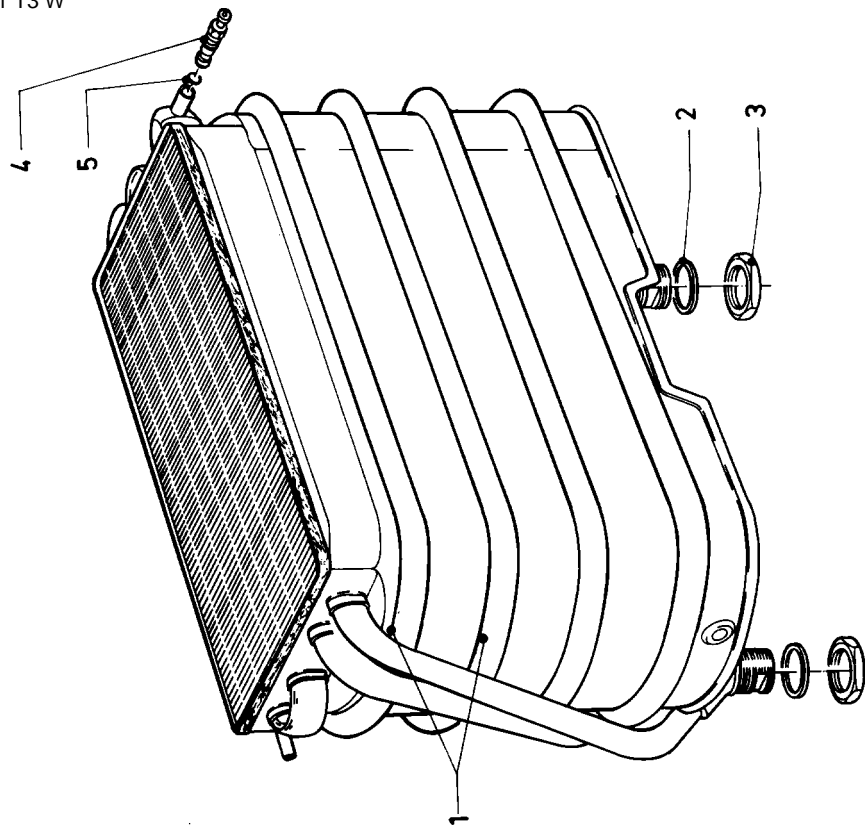
Main component 06 Heat exchanger

VC 8,10, VC-VCW 15,20,25-/1 T3 W, VC-VCW-sine 18 T3 W

Heat exchanger d.h.w.)
VCW 15,20,25-/1 T3 W
VCW-sine 18 T3 W



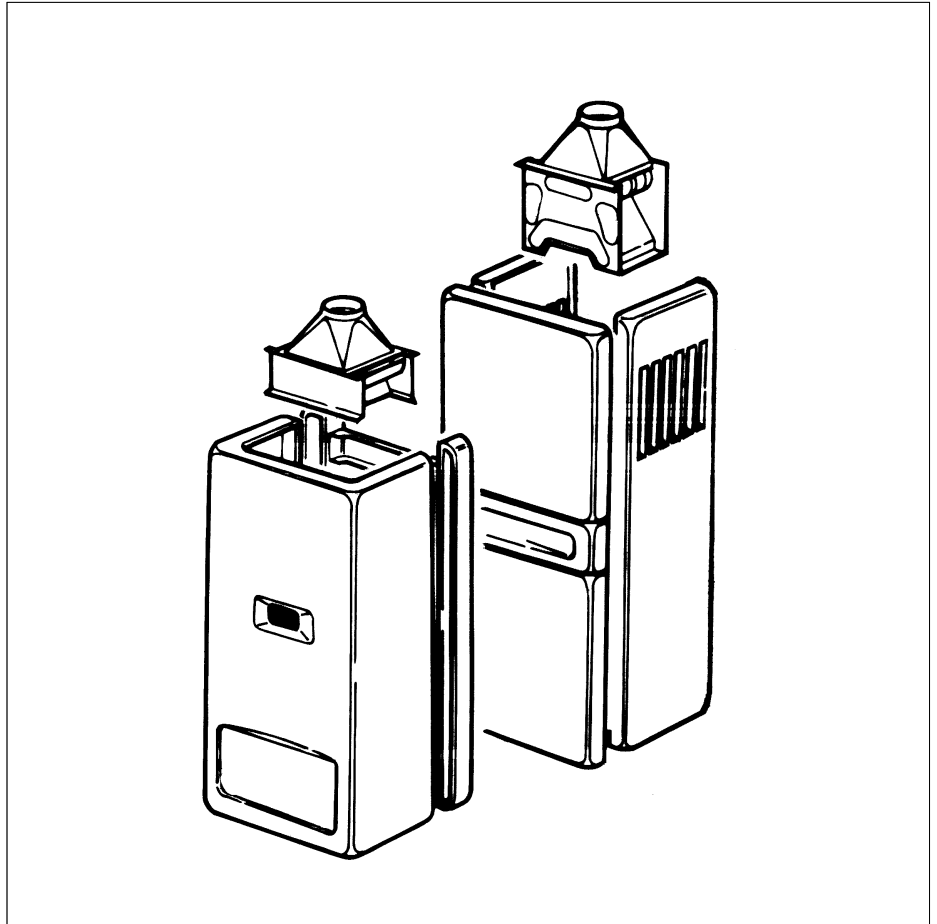
Heat exchanger
VC 8,10, VC-VCW 15,20,25-/1 T3 W
VC-VCW-sine 18 T3 W



Main component 06 Heat exchanger
VC 8,10, VC-VCW 15,20,25-/1 T3 W, VC-VCW-sine 18 T3 W

Pict. No.	Article-No.	Part	Indic.	Type, Remarks	
1	06-1040 06-1604 06-1605 06-1017 06-1606 06-1038	heat exchanger heat exchanger heat exchanger heat exchanger heat exchanger heat exchanger		VC 8,10 VC-VCW 15-/1 VC-VCW 20, sine 18 VC-VCW 20/1 VC-VCW 25 VC-VCW 25/1	} supplied with parts 2-5
2	98-0012	packingring		VC 8,10	
	98-1511	packingring		VC-VCW 15...,20..., sine 18,25...	
3	08-0093	double nut		VC 8,10	
	08-0052	double nut		VC-VCW 15...,20..., sine 18,25...	
4	14-0015	de-aeration screw		supplied with part 5	
5	98-2459	packingring			
6	06-1804	heat exchanger d.h.w.			
7	98-1506	packingring			
8	06-0023	drain screw			
9-12	-	not necessary for british execution			
13	13-7245	plug			
14	06-1707	automatic de-aerator			
15	98-2442	packingring			
16	10-5736	screw			

Main component 07



Casing parts
VC 8,10

Page

36 - 37

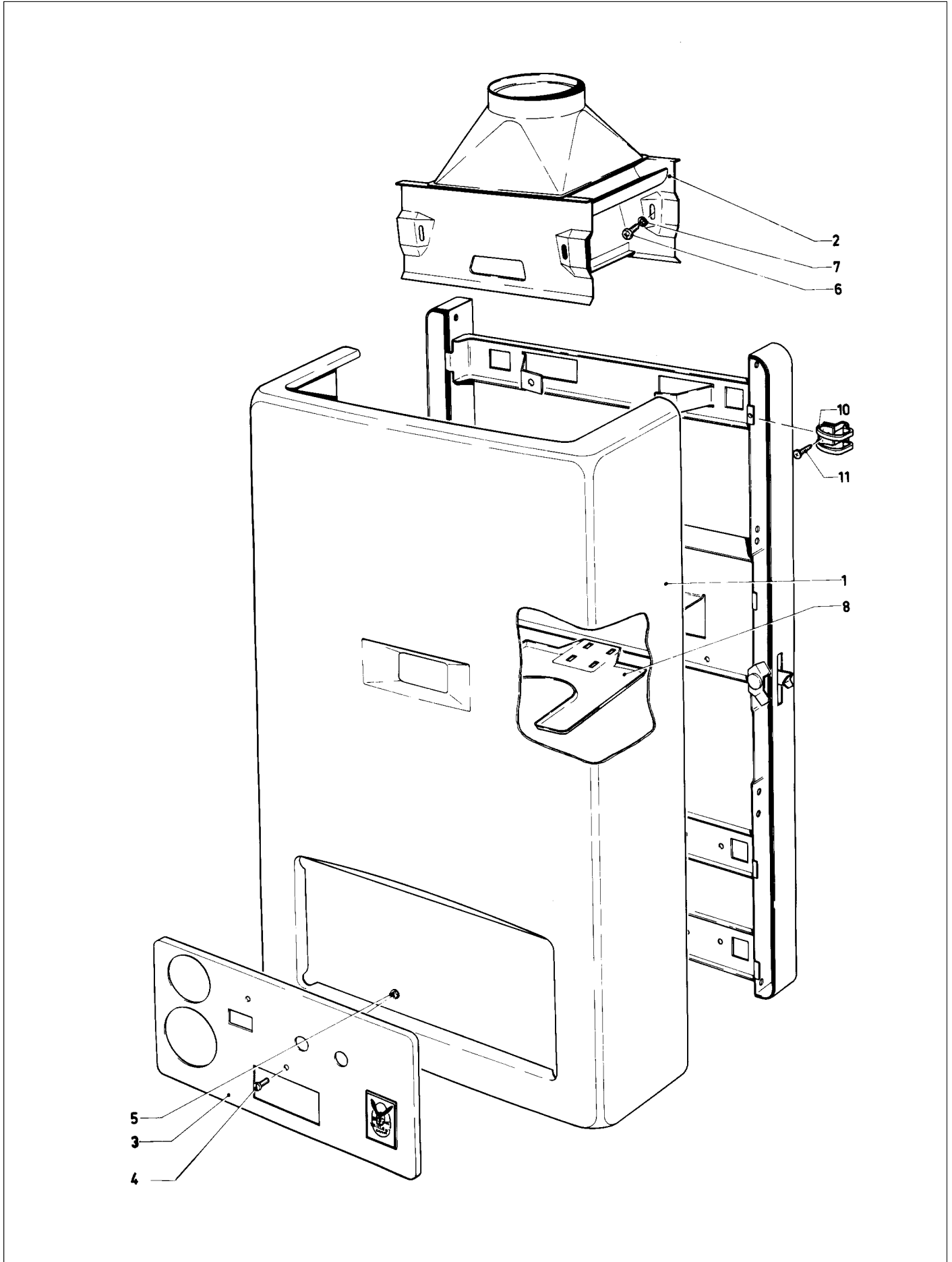
Casing parts
VC-VCW 15,20,25-/1 T3 W

38 - 39

Casing parts
VC-VCW-sine 18 T3 W

40 - 43

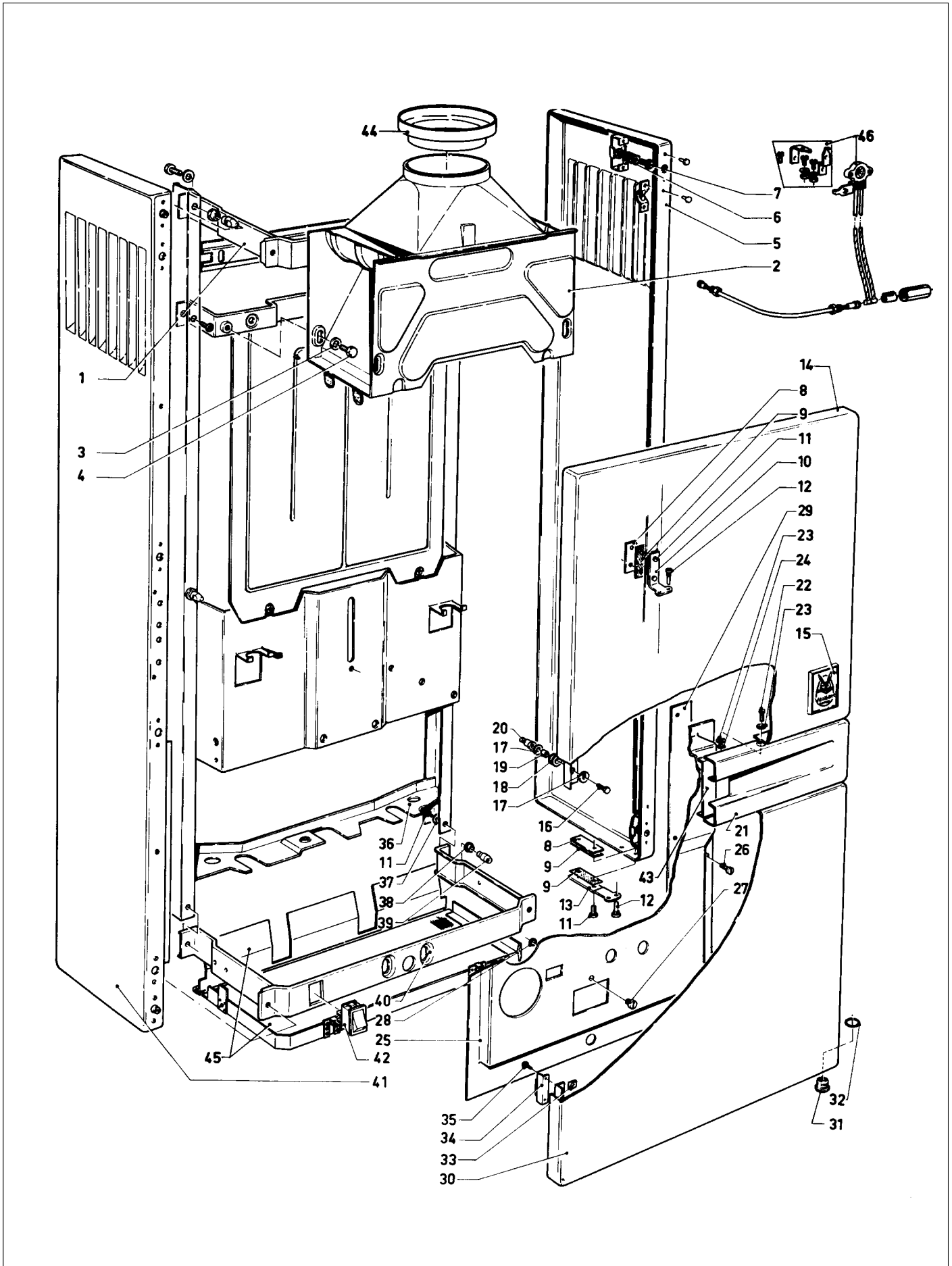
**Main component 07 Casing parts
VC 8,10**



**Main component 07 Casing parts
VC 8,10**

Pict. No.	Article-No.	Part	Indic.	Type, Remarks
1	07-2760	cowling		
2	07-3931	draft diverter		
3	07-5469	covering plate		
4	07-0046	screw		
5	04-0186	tension ring		
6	23-5727	screw		
7	49-2032	disc		
8	07-0908	collecting sheet		
9	-	frame		single delivery not possible
10	08-6048	support		
11	50-0046	screw		

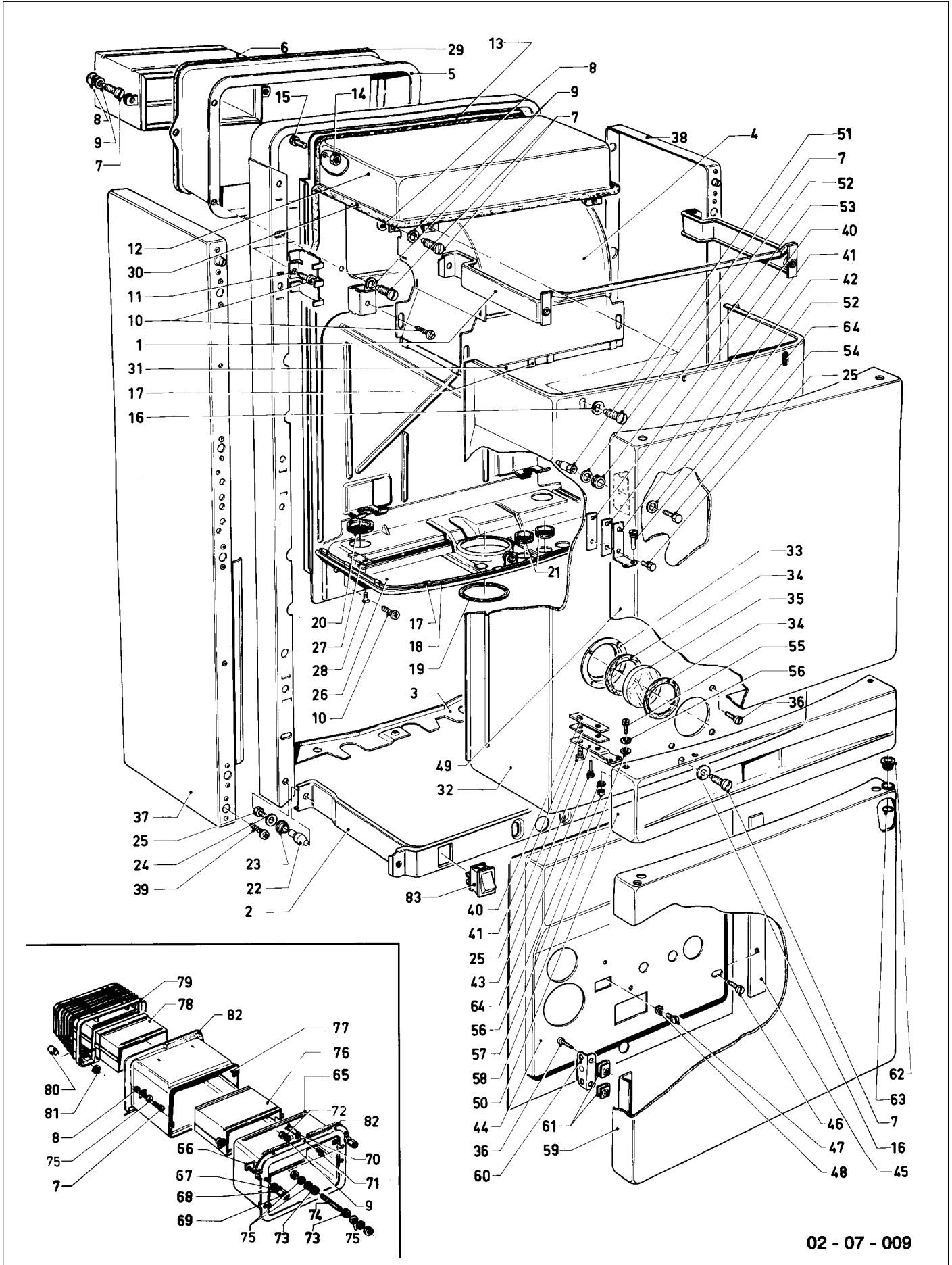
Main component 07 Casing parts
VC-VCW 15,20,25-/1 T3 W



Main component 07 Casing parts VC-VCW 15,20,25-/1 T3 W

Pict. No.	Article-No.	Part	Indic.	Type, Remarks
1	15-4208	bow		
2	07-4941	draft diverter		VC-VCW 15...
	07-4943	draft diverter		VC-VCW 20...
	07-4951	draft diverter		VC-VCW 25...
3	49-2032	disc		
4	07-0361	screw		
5	07-9928	lateral panel, right		VC-VCW 15,20... } VC-VCW 25... } supplied with parts 8-11,13
	07-9930	lateral panel, right		
6	-	not necessary for british execution		
7	23-5728	screw		
8	07-0349	threaded plate		
9	07-0347	lining plate		
10	07-0346	hinge		
11	07-0350	screw		
12	07-0351	screw		
13	07-0345	hinge		
14	07-0206	front cover cpl.		supplied with parts 15-24,43
15	-	single delivery not possible		supplied with part 07-0206
16	07-0047	screw		
17	07-0338	disc		
18	07-0319	rubber grommet		
19	07-0339	bush		
20	07-0352	nut		
21	07-1044	middle panel		
22	14-0012	screw		
23	98-0242	packingring		
24	15-0014	nut		
25	07-5466	covering plate		supplied with parts 26-29
26	23-5715	screw		
27	07-0046	screw		
28	04-0186	tension ring		
29	07-1052	slide plate		
30	29-4017	door		supplied with parts 31-35
31	07-0055	plastic plug		
32	98-0309	packingring		
33	15-8207	nut		
34	07-0355	door magnet		
35	07-0046	screw		
36	-	frame		single delivery not possible
37	07-0359	disc		
38	98-0093	packingring		
39	07-0357	nut		
40	15-4205	bow		
41	07-9929	lateral panel, left		VC-VCW 15,20...
	07-9931	lateral panel, left		VC-VCW 25...
42	-	not necessary for british execution		
43	21-3361	back panel		
44	08-8216	flue adaptor		
45	07-4506	filter		
46	-	not necessary for british execution		

Main component 07 Casing parts
VC-VCW-sine 18 T3 W

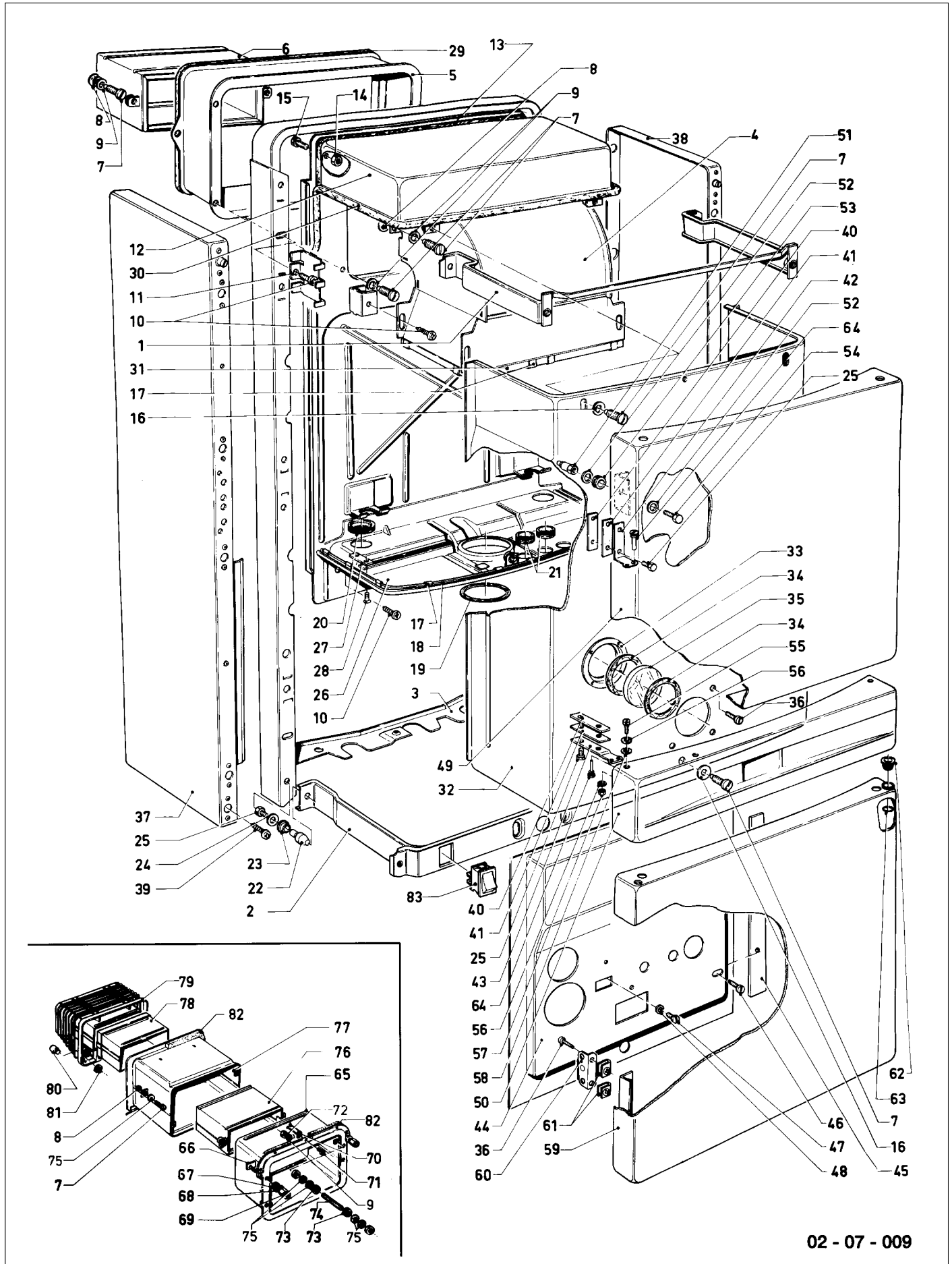


02 - 07 - 009

Main component 07 Casing parts VC-VCW-sine 18 T3 W

Pict. No.	Article-No.	Part	Indic.	Type, Remarks
1	15-4209	bow		
2	15-4205	bow		
3	-	frame		single delivery not possible
4	11-6623	flue bend		
5	07-3134	inner part of wall case		
6	14-5578	connection duct		
7	07-0340	screw	M 6x21	
	23-5738	screw	6,3x22	
8	28-6401	locking nut		
9	49-2032	disc		
10	23-5727	screw		
11	08-6151	support		
12	07-2345	cap		
13	98-0763	packingring		
14	04-0009	nut		
15	50-0055	screw		
16	07-0005	disc		
17	28-0204	clip		
18	28-2813	sealing profile		
19	98-0764	packingring		
20	98-0765	packingring		
21	98-0766	packingring		
22	07-0357	nut		
23	98-0093	packingring		
24	06-0020	disc		
25	07-0350	screw		
26	-	no longer available		
27	19-5934	hinge		
28	08-8624	screw		
29	28-2817	sealing profile		inner part of wall case
30	28-2816	sealing profile		cap and back plates
31	28-2815	sealing profile		flue bend
32	07-2829	cowling, inner		supplied with parts 33-36
33	28-2249	ring		
34	98-1746	packingring		
35	16-1225	inspection glass		
36	23-5748	screw		
37	07-9929	lateral panel, left		
38	07-9928	lateral panel, right		supplied with parts 25,40-43
39	23-5728	screw		
40	07-0349	threaded plate		
41	07-0347	lining plate		
42	07-0346	hinge		
43	07-0345	hinge		
44	07-5467	covering plate		
45	07-1052	slide plate		
46	23-5715	screw		
47	07-0046	screw		
48	04-0186	tension ring		

Main component 07 Casing parts VC-VCW-sine 18 T3 W

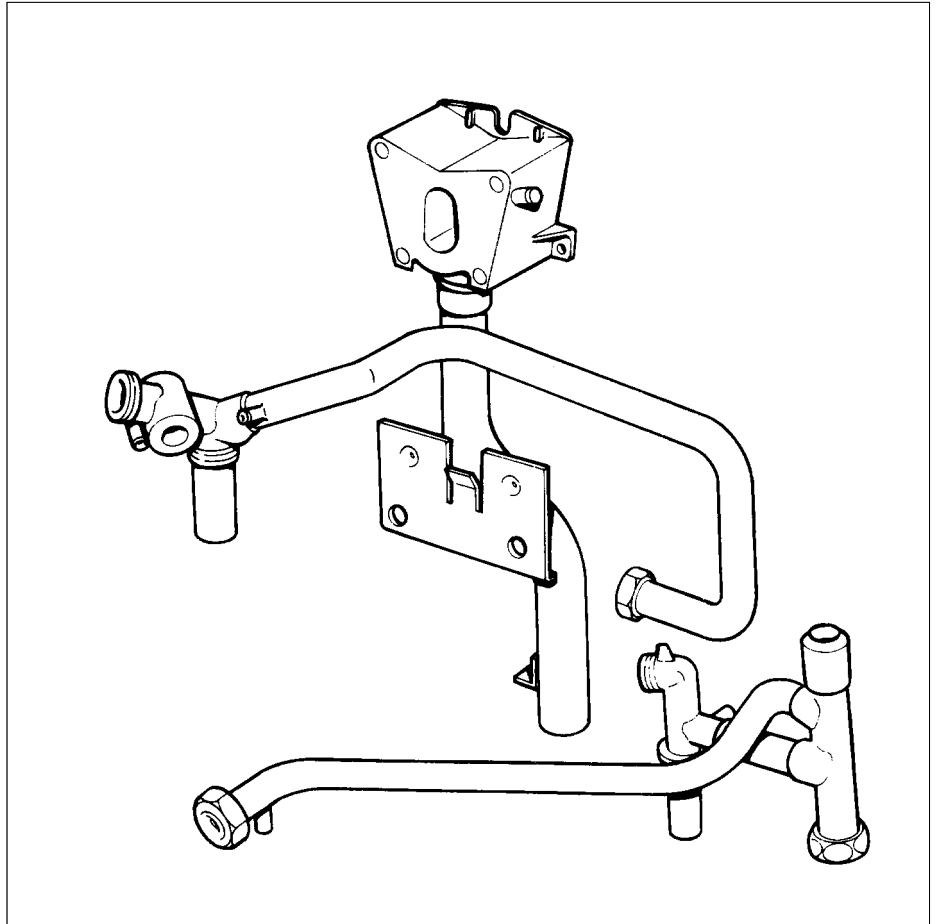


02 - 07 - 009

Main component 07 Casing parts VC-VCW-sine 18 T3 W

Pict. No.	Article-No.	Part	Indic.	Type, Remarks
49	-	no longer available		
50	07-5459	covering plate		
51	07-0352	nut		
52	07-0338	disc		
53	07-0319	rubber grommet		
54	07-0047	screw		
55	14-0012	screw		
56	95-0242	disc		
57	15-0014	nut		
58	95-0242	disc		
59	29-4014	door		supplied with parts 36,60-63
60	07-0355	door magnet		
61	15-8207	nut		
62	07-0055	plastic plug		
63	98-0309	packingring		
64	07-0351	screw		
65	07-3110	inner part	98 mm	4 inchs Acc. 251
	07-3112	inner part	131 mm	5 inchs Acc. 252
	07-3114	inner part	221 mm	8 inchs Acc. 253
	07-3126	inner part	311 mm	12 inchs (without support) Acc. 254
	07-3116	inner part	311 mm	12 inchs (with support) Acc. 255
66	08-6527	support		
67	11-4848	nut		
68	19-1350	disc		
69	21-2718	nut		
70	08-6103	support		
71	20-2612	screw		
72-73	95-0237	nut		
74	08-4848	tie rod		
75	28-4030	disc		
76	14-5574	duct	95 mm	4 inchs Acc. 251
	14-5575	duct	140 mm	5 1/2 inchs Acc. 252
	14-5576	duct	230 mm	9 inchs Acc. 253
	14-5577	duct	320 mm	12 1/2 inchs Acc. 254,255
77	07-3019	exterior part	85 mm	3 inchs Acc. 251
	07-3010	exterior part	130 mm	5 inchs Acc. 252,253,254
	07-3021	exterior part	310 mm	12 inchs Acc. 255
78	14-5516	duct	57 mm	2 inchs Acc. 252,253,254
	14-5518	duct	237 mm	9 inchs Acc. 255
79	07-3639	protection grill		
80	12-4835	bush		
81	11-5520	safety disc		
82	28-2822	sealing profile		
83	-	not nesecarry for british execution		

Main component 08



Connection parts
VC 8,10

Page

46 - 47

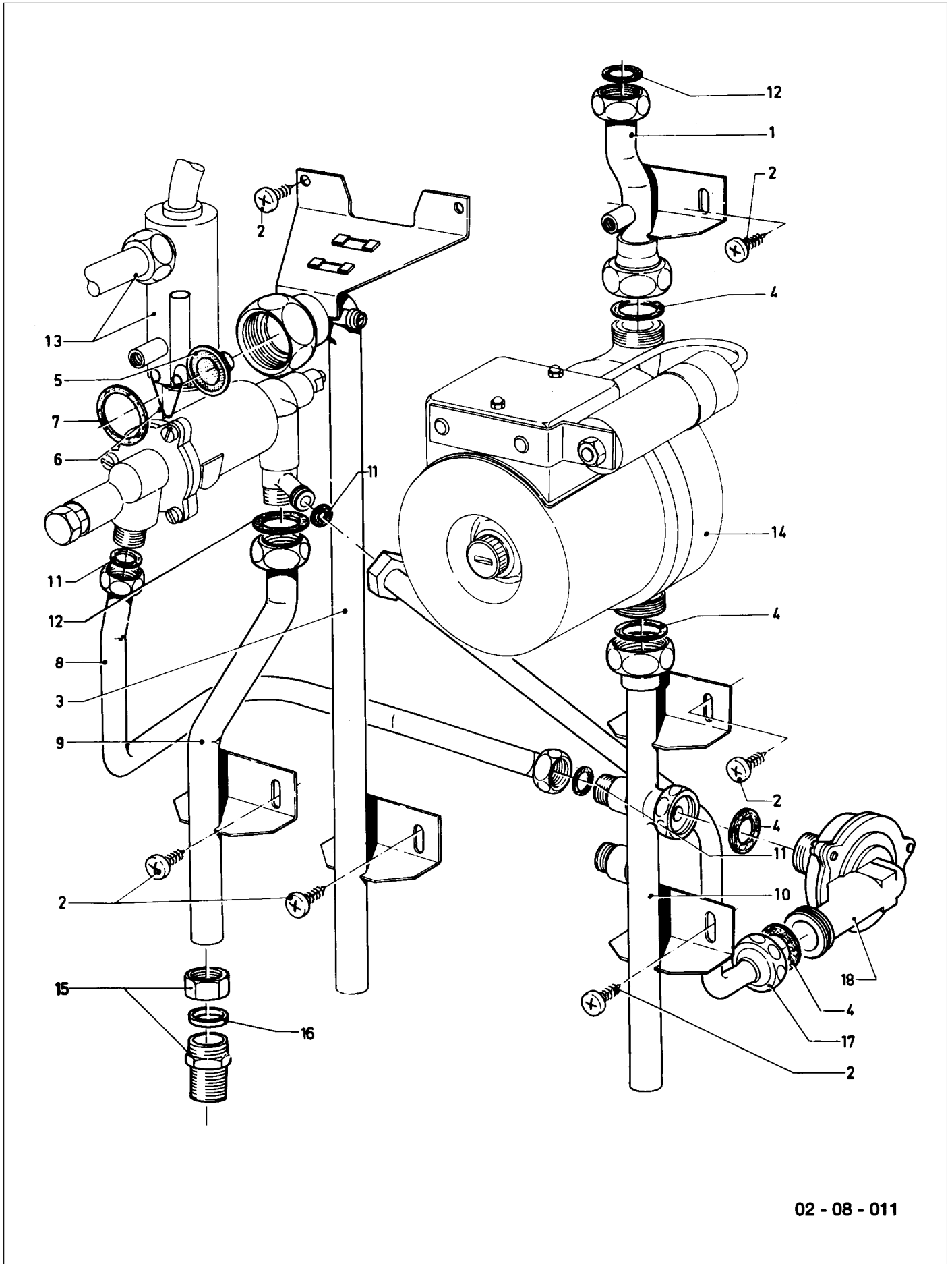
Connection parts
VC-VCW 15,20,25-/1 T3 W, VC-VCW-sine 18 T3 W

48 - 49

Acc.-connection parts
VC-VCW 15,20,25-/1 T3 W, VC-VCW-sine 18 T3 W

50 - 51

Main component 08 Connection parts
VC 8,10

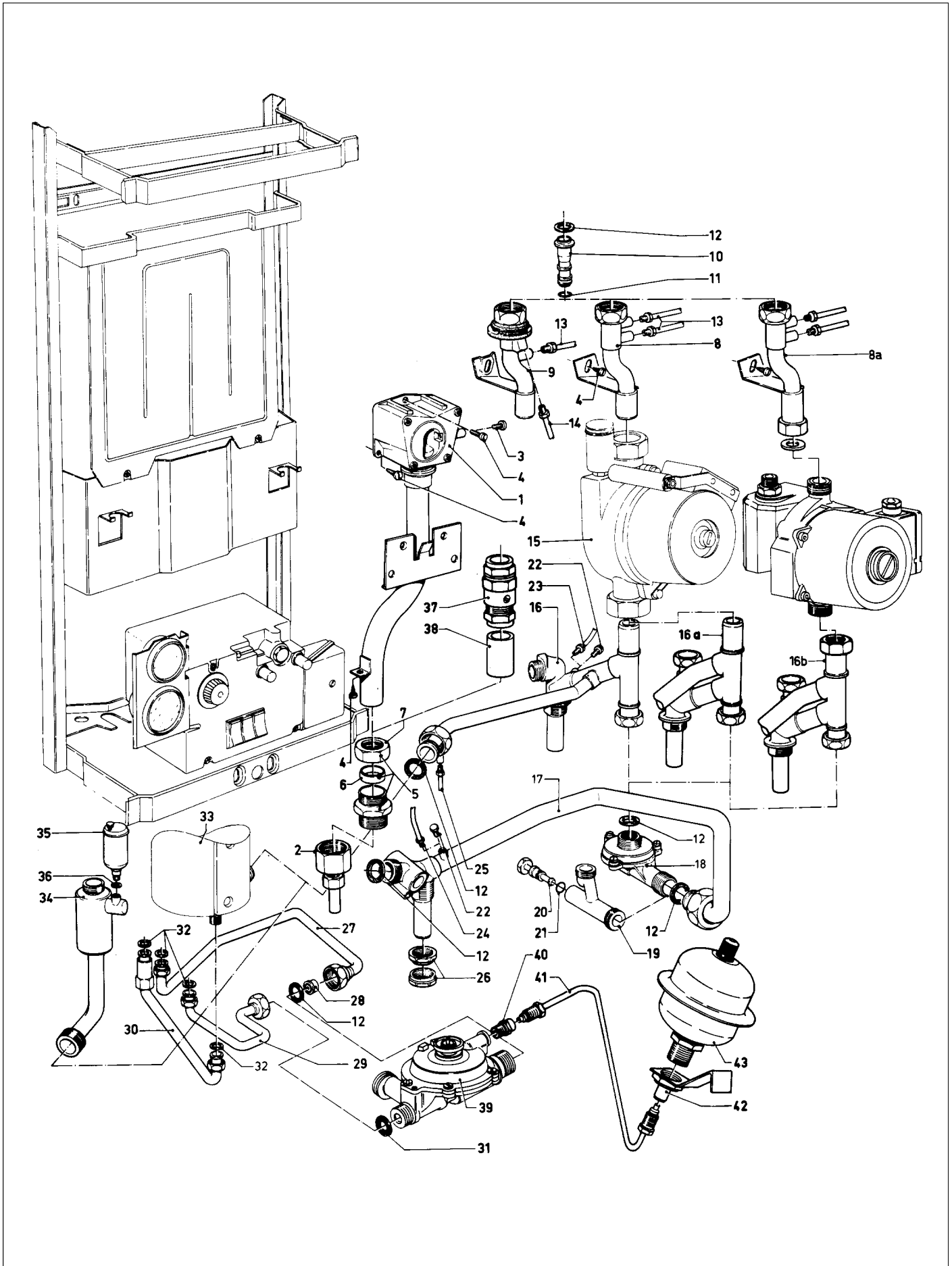


02 - 08 - 011

Main component 08 Connection parts VC 8,10

Pict. No.	Article-No.	Part	Indic.	Type, Remarks
				H = natural gas, B = LP-gas
1	08-3810	tube		
2	23-5727	screw		
3	08-2693 08-2694	gas connection gas connection		H } B } supplied with parts 5,6
4	98-0151	packingring		
5	08-0064	gas filter		
6	08-0067	clip		
7	98-0221	packingring		
8	08-1332	connection tube		
9	08-1326	connection tube		
10	08-1330 08-1388	connection tube connecting tube		VC 8 VC 10
11	98-0198	packingring		
12	98-0012	packingring		
13	-	flow switch		see main component 14
14	-	pump		see main component 16
15	08-3408	connection piece		supplied with part 16
16	98-0410	packingring		
17	08-1398	connecting tube		
18	15-0216	spill valve		part may differ from that shown in picture

Main component 08 Connection parts VC-VCW 15,20,25-/1 T3 W, VC-VCW-sine 18 T3 W

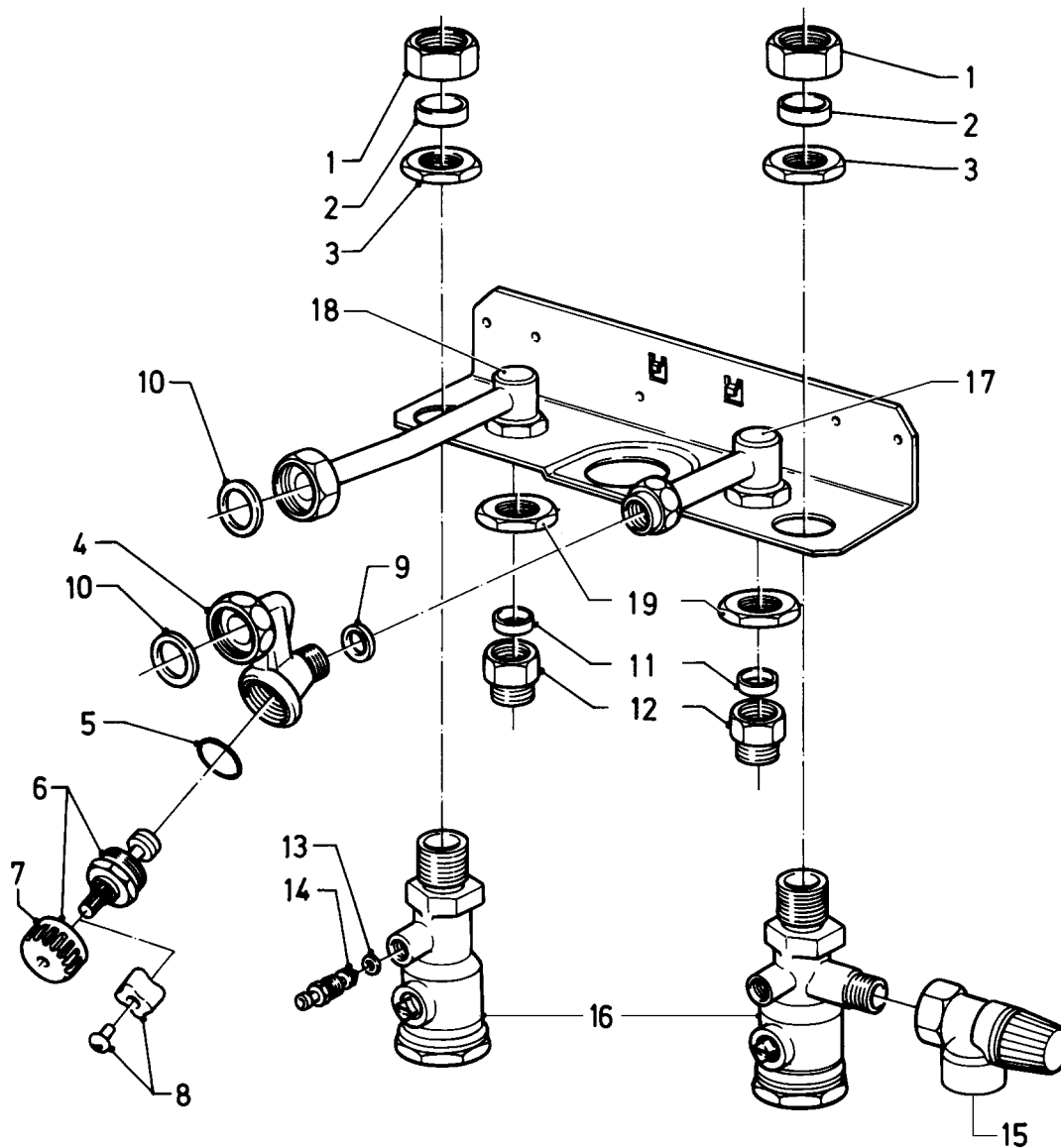


Main component 08 Connection parts

VC-VCW 15,20,25-/1 T3 W, VC-VCW-sine 18 T3 W

Pict. No.	Article-No.	Part	Indic.	Type, Remarks
				H = natural gas, B = LP-gas
1	08-2505	gas connection		VC-VCW 15... H
	08-2501	gas connection		VC-VCW 20,25..., sine 18 H
	08-2504	gas connection		B
2	08-0012	gas connection		B
3	04-0038	screw		
4	23-5727	screw		
5-7	-	not necessary for british execution		
8	08-4704	connection tube		VC-VCW 15,20,25...
8a	-	not necessary		
9	08-4708	connection tube		VC-VCW-sine 18..
10	01-0024	venturi	ø 6,50	VC-VCW 15... } supplied with part 11
	01-0040	venturi	ø 7,40	VC-VCW 20..., sine 18 }
	01-0034	venturi	ø 7,85	VC-VCW 25... }
11	98-0310	packingring		
12	98-1511	packingring		
13	08-4220	flow switch connection	screw fit	VC-VCW... (incl. sine) for flow switch (brass)
	08-4269	flow switch connection	push fit	VC-VCW... (incl. sine) for flow switch (black plastic)
14	08-4229	flow switch connection	screw fit	VC-VCW-sine 18 (for flow switch (brass))
	08-4296	flow switch connection	push fit	VC-VCW-sine 18 (for flow switch (black plastic))
15	-	pump		see main component 16
16	-	not necessary		
16a	08-1024	connection		
16b	-	not necessary		
17	08-1011	connection		
18	15-0216	spill valve		part may differ from that shown in picture
19-21	-	not necessary		
22	08-0556	screw		
23-24	-	not necessary		
25	08-4219	flow switch connection		manometer
26	08-0052	double nut		
27	08-3742	cold water tube		
28	-	water quantity regulator		see main component 01 } VCW... (incl. sine)
29	08-3918	warm water tube		
30	08-1336	connection tube cpl.		
31	98-1508	packingring		
32	98-1506	packingring		
33	-	heat exchanger d.h.w.		see main component 06
34	-	flow switch		see main component 14
35	-	pump		see main component 16
36	98-0198	packingring		
37	08-2741	gas shut-off valve	15 mm	VC-VCW 15,20... (incl. sine) H
	08-2745	gas shut-off valve	22 mm	VC-VCW 25... H
38	13-7439	tube		VC-VCW 15,20... (incl. sine) H
	12-4370	tube		VC-VCW 25... H
39	-	water valve		see main component 01
40	13-6313	nipple		
41	08-4240	flow switch connection		
42	08-6567	support		
43	18-1025	expansion vessel		

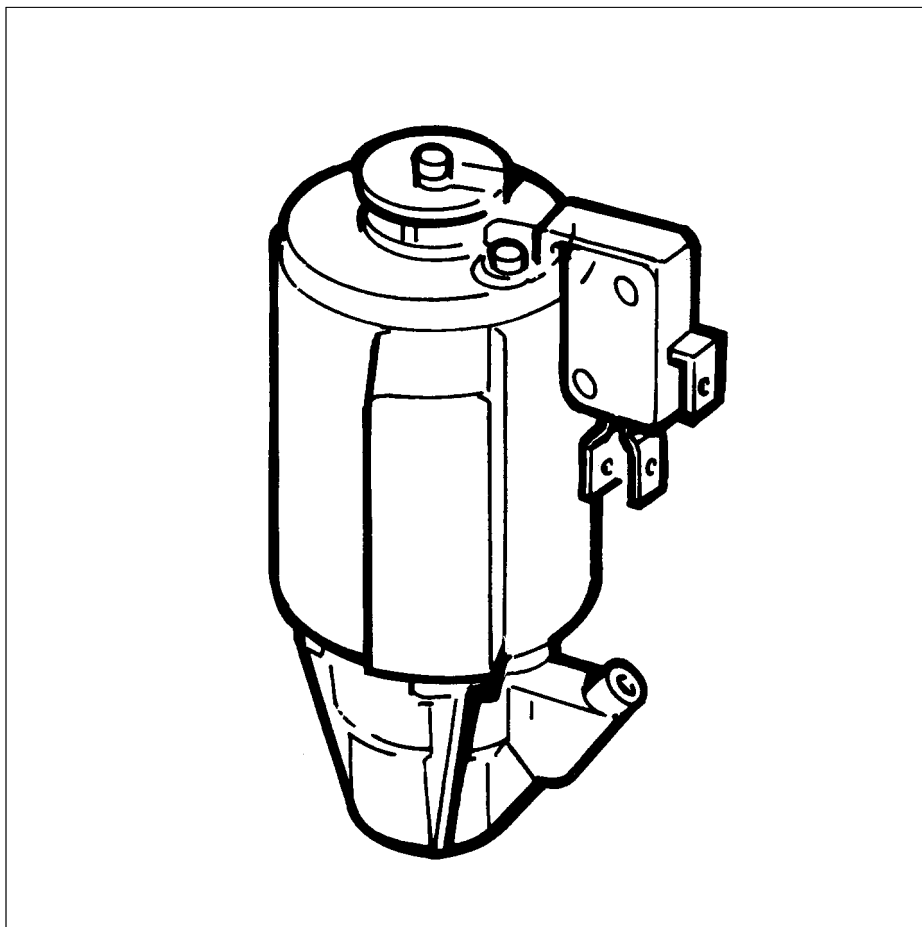
Main component 08 Acc.-connection parts
VC-VCW 15,20,25-/1 T3 W, VC-VCW-sine 18 T3 W



Main component 08 Acc.-connection parts
VC-VCW 15,20,25-/1 T3 W, VC-VCW-sine 18 T3 W

Pict. No.	Article-No.	Part	Indic.	Type, Remarks
-	-	connection, cpl.	not shown	not available as spare part see acc.-no. 9745 (VC) or 9313 (VCW)
1	08-0177	nut		
2	08-0184	brass olive		not available as spare part
3	95-0272	nut		see acc.-no. 9745 (VC) or 9313 (VCW)
4	08-1714	cold water connection		supplied with parts 5,6
5	98-1605	packingring		
6	95-0057	upper part of valve		
7	14-3981	knob		
8	-	no longer available		replaced by part 95-0057
9	98-1508	packingring		
10	98-1511	packingring		
11	98-0410	packingring		
12	11-1328	sleeve nut		
13	98-2459	packingring		
14	14-0015	de-aeration screw		
15	19-0721	pressure relief valve		
16	-	-		not available as spare part see acc.-no. 9326 (return) or 9327 (flow)
17	08-0945	water connection		
18	08-1144	water connection		
19	08-0537	nut		
				Note: Connection complete VC... acc.-no. 009745 VCW... acc.-no. 009313

Main component 11



Solenoid
VC 8,10, VC-VCW 15,20,25-/1 T3 W, VC-VCW-sine 18 T3 W

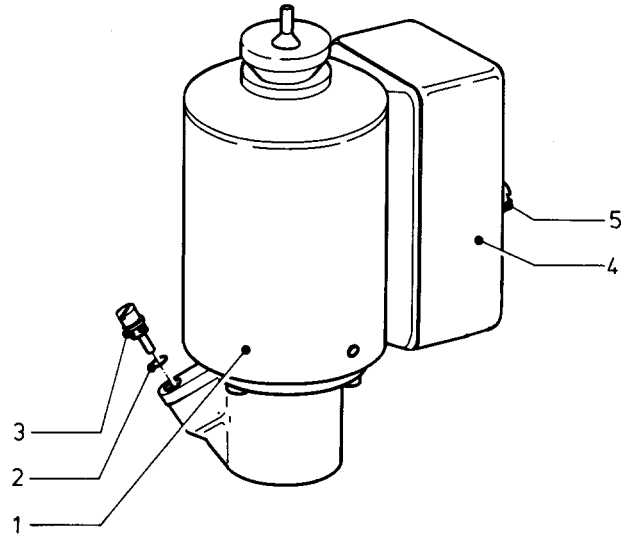
Page

54 - 55

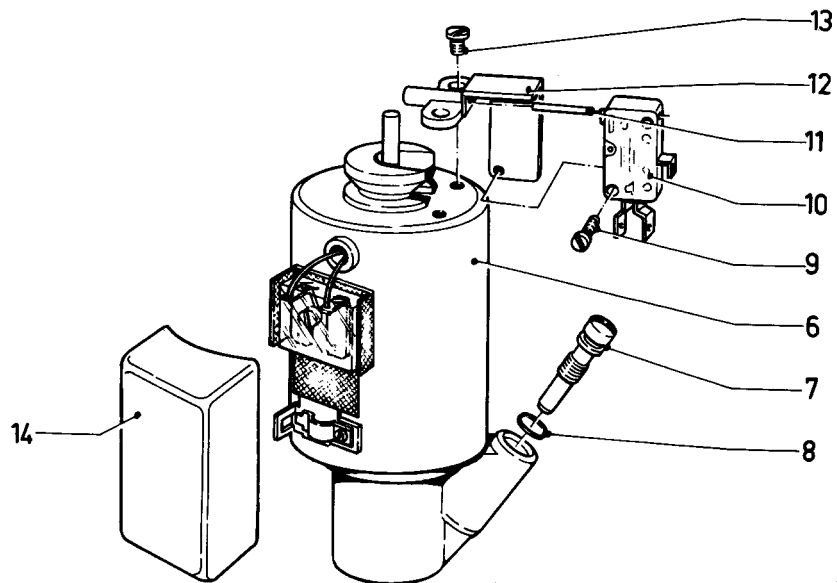
Main component 11 Solenoid

VC 8,10, VC-VCW 15,20,25-/1 T3 W, VC-VCW-sine 18 T3 W

Solenoid
VC 8



Solenoid
VC 10, VC-VCW 15,20,25-/1 T3 W
VC-VCW-sine 18 T3 W

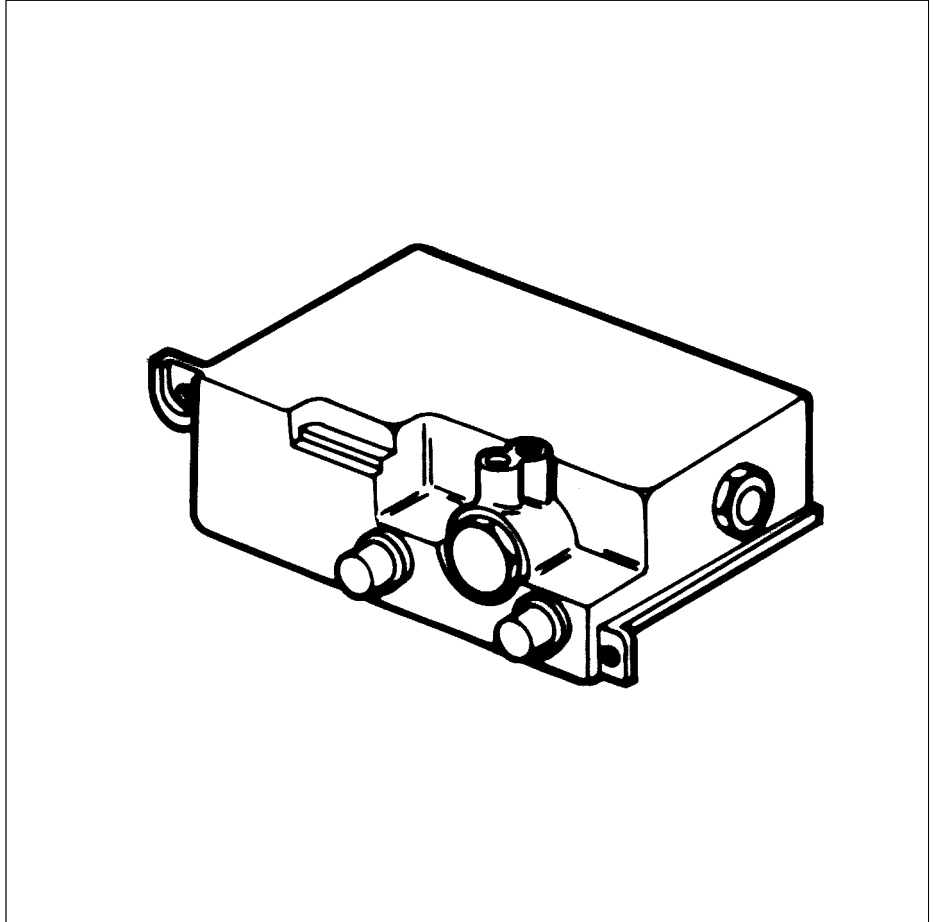


Main component 11 Solenoid

VC 8,10, VC-VCW 15,20,25-/1 T3 W, VC-VCW-sine 18 T3 W

Pict. No.	Article-No.	Part	Indic.	Type, Remarks
1	11-1106	solenoid		VC 8 (supplied with parts 2-5)
2	98-0290	packingring		supplied with part 2
3	11-0010	screw		
4	20-3861	cap		
5	04-0009	nut		
6	11-1115	solenoid		VC 10, VC-VCW 15,20,25..., sine 18 (supplied with parts 8-14)
7	13-3726	regulating screw		supplied with part 8
8	98-0309	packingring		
9	15-0008	screw		
10	12-6215	micro-switch		
11	12-8090	pin		
12	08-6189	support		
13	06-0018	screw		
14	20-3896	cap		

Main component 12

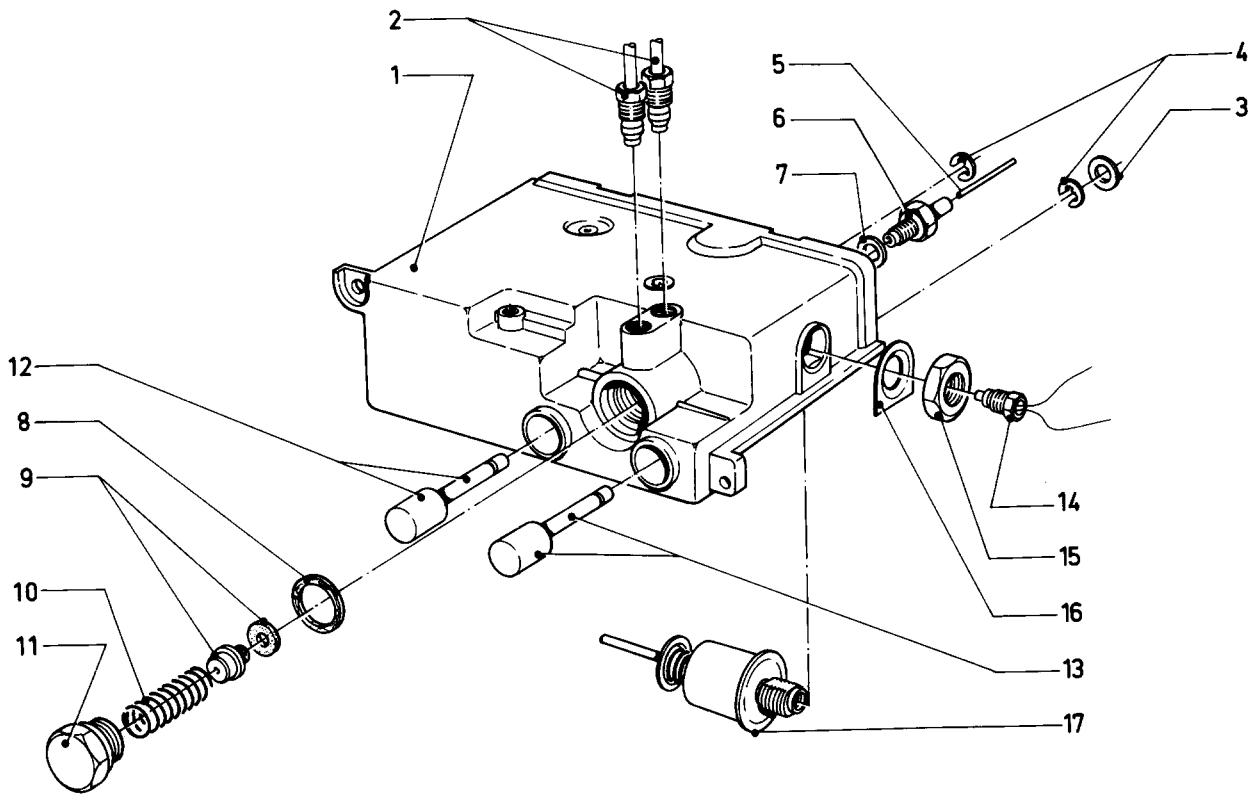


Switch box
VC 8,10, VC-VCW 15,20,25-/1 T3 W, VC-VCW-sine 18 T3 W

Page

58 - 59

Main component 12 Switch box
VC 8,10, VC-VCW 15,20,25-1 T3 W, VC-VCW-sine 18 T3 W



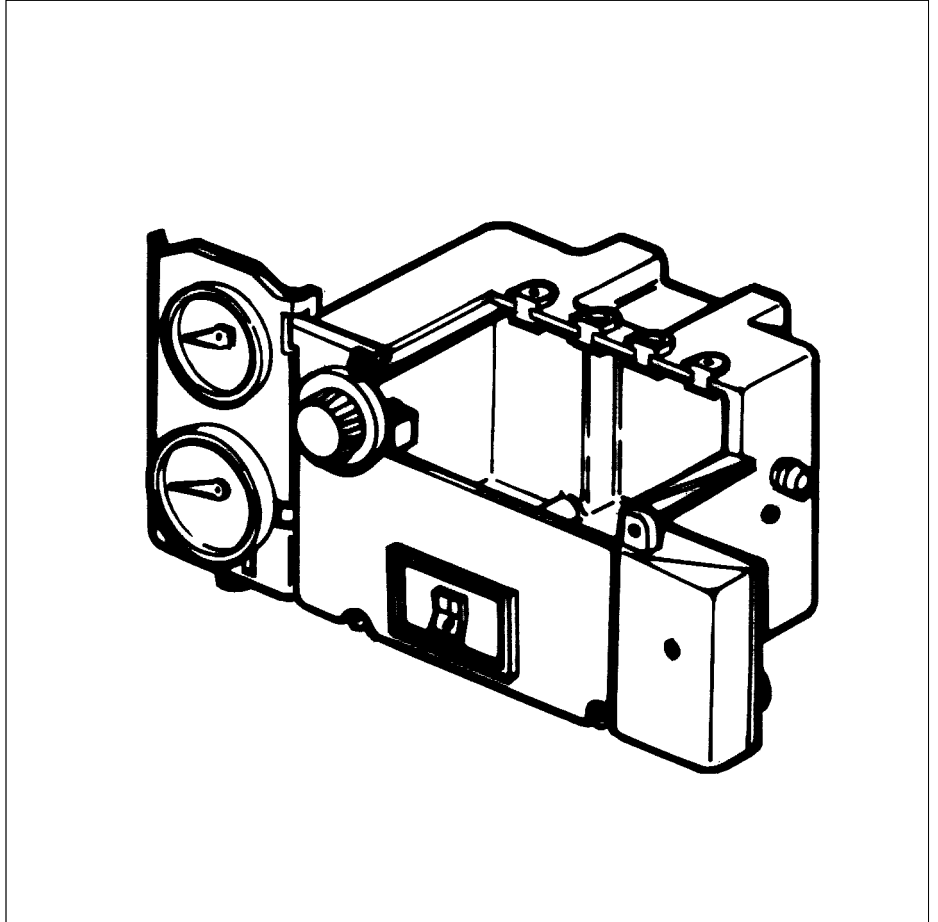
02 - 12 - 013

Main component 12 Switch box

VC 8,10, VC-VCW 15,20,25-/1 T3 W, VC-VCW-sine 18 T3 W

Pict. No.	Article-No.	Part	Indic.	Type, Remarks
1	12-1013 12-1021	switch box switch box		VC 8,10, VC-VCW 15,20,25... } VC-VCW-sine 18... } supplied with parts 3-13,15-17
2	-	pilot burner tube		see main component 04
3	28-4010	disc		
4	11-5507	safety disc		
5	04-0395	pin		
6	01-2110	stuffing box		
7	98-1502	packingring		
8	98-0217	packingring		
9	04-0332	valve disc		
10	02-0134	spring		
11	13-7218	plug		
12	11-4208	knob	green	
13	11-4209	knob	red	
14	-	thermoelement		see main component 04
15	11-4825	nut		
16	28-3008	locking plate		
17	17-0209	magneto		
				<p><u>Note:</u> Microswitches are not available as a spare part, or possible for adjustment. please replace switch box complete.</p>

Main component 13



Control box
VC 8

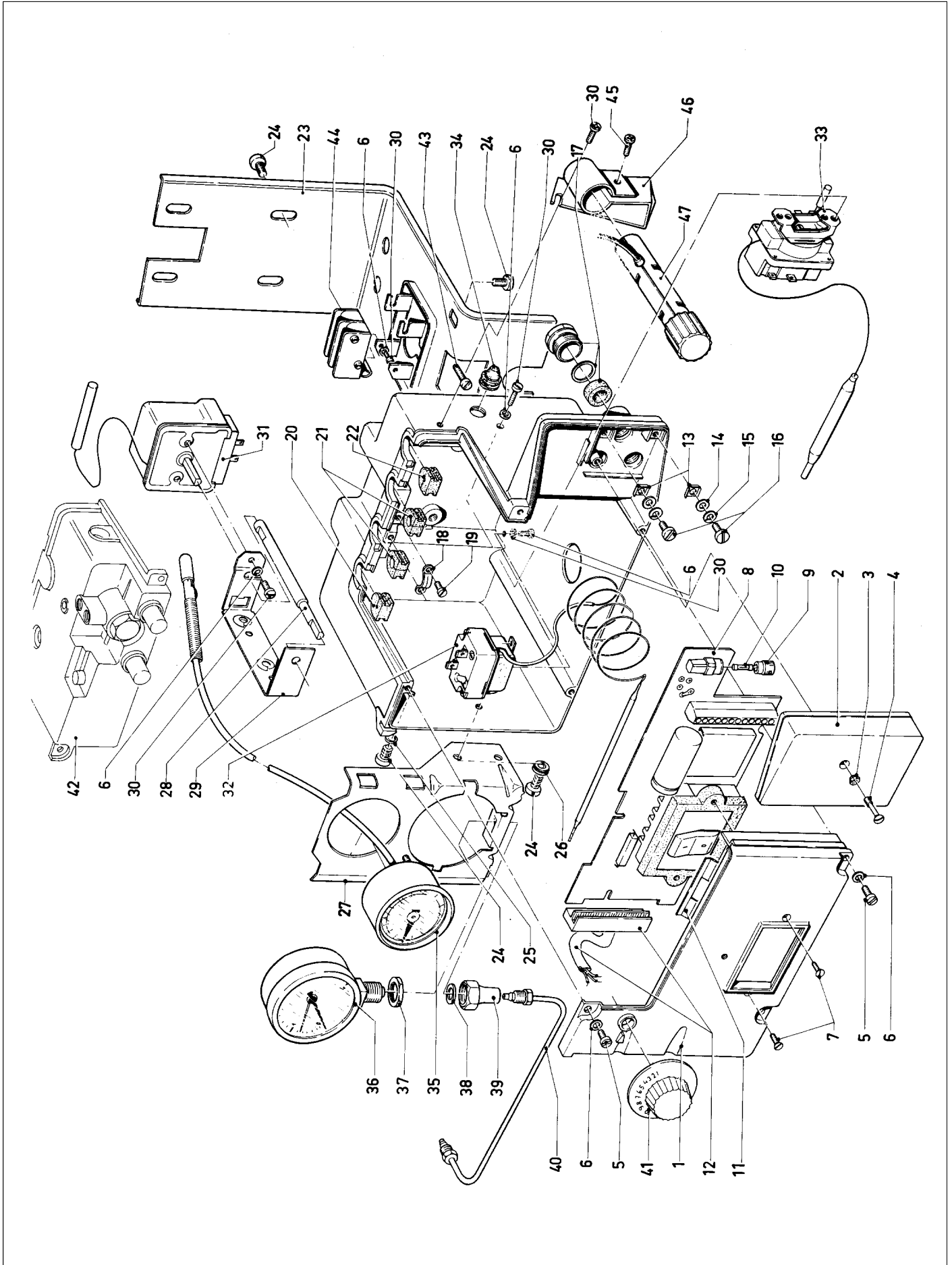
Page

62 - 63

Control box
VC 10, VC-VCW 15,20,25-1 T3 W, VC-VCW-sine 18 T3 W

64 - 67

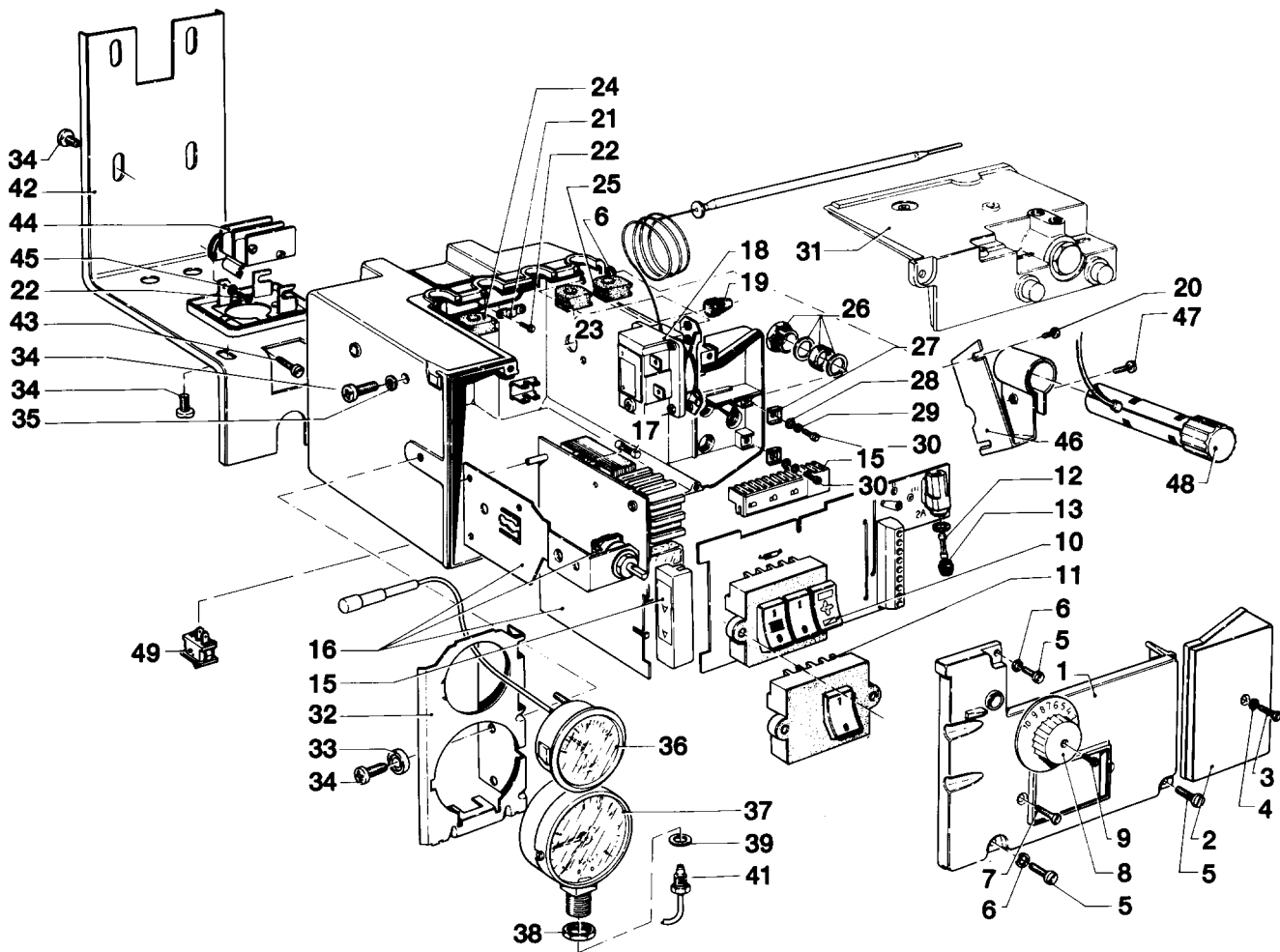
Main component 13 Control box VC 8



Main component 13 Control box VC 8

Pict. No.	Article-No.	Part	Indic.	Type, Remarks
1	20-1504	cover		
2	20-9507	cover		
3	13-0008	disc		
4	13-0003	screw		
5	06-0009	screw		
6	15-0012	disc		
7	-	no longer available		
8	13-0101	printed circuit		supplied with parts 9,10
9	20-3859	cap		
10	13-0037	fuse (2.0 A/250 V)		
11	13-0028	facing sheet		
12	25-0830	cable tree		
13	12-0020	contact protection		
14	12-0019	disc		
15	06-0014	spring ring		
16	06-0010	screw		
17	13-0001	cable connection		
18	12-0010	clamp		
19	02-0088	screw		
20	20-1848	cable holder		
21	20-1849	cable holder		
22	20-1848	cable holder		
23	20-8909	support		
24	23-5727	screw		
25	11-1458	disc		
26	16-4302	distance ring		
27	08-6272	support		
28	08-4933	connection piece		
29	15-4103	bow		
30	06-0018	screw		
31	10-1019	thermostat		
32	-	not necessary		
33	10-1308	temperature limiter		
34	13-7234	plug		
35	10-1002	thermometer		
36	10-1008	manometer		
37	10-0004	nut		
38	98-0138	packingring		
39	-	single delivery not possible		
40	08-4214	flow switch conduction		
41	11-4226	knob		
42	-	switch box		see main component 12
43	10-5716	screw		
44	12-6213	micro-switch		
45-47	-	not necessary		

Main component 13 Control box
VC 10, VC-VCW 15,20,25-/1 T3 W, VC-VCW-sine 18 T3 W



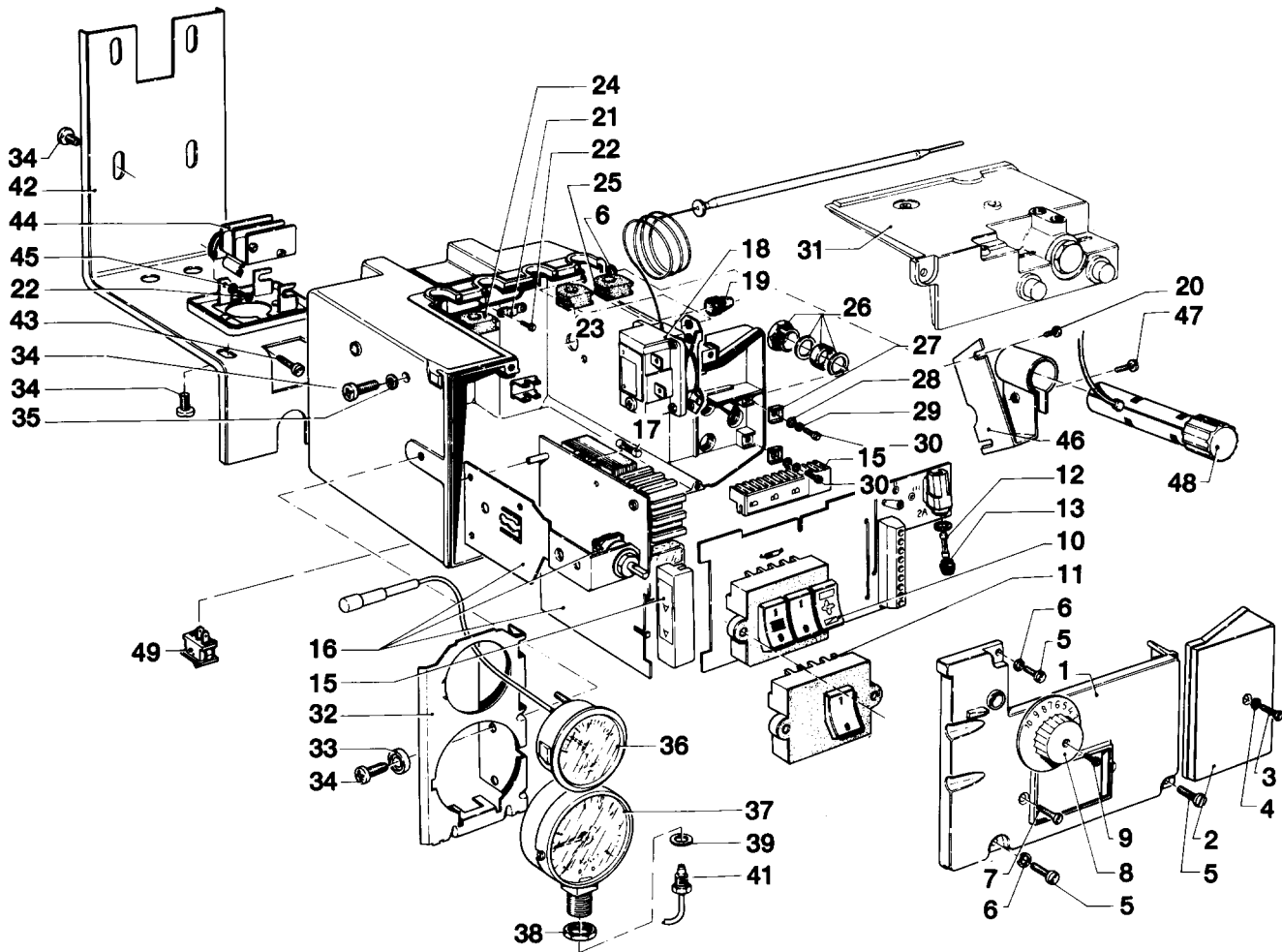
02 - 12 - 014. 01

Main component 13 Control box

VC 10, VC-VCW 15,20,25-/1 T3 W, VC-VCW-sine 18 T3 W

Pict. No.	Article-No.	Part	Indic.	Type, Remarks
1	20-1504	cover		
2	20-9507	cover		
3	13-0003	screw		
4	13-0008	disc		
5	06-0009	screw		
6	15-0012	disc		
7	-	no longer available		
8	14-3952	knob		
9	14-0012	screw		
10	13-0132	printed circuit		VCW... (incl. sine) } supplied with parts 12,13
11	13-0131	printed circuit		
-	13-0038	bulb	not shown	for PCB switch
12	13-0037	fuse (2.0 A/250 V)		
13	20-3859	cap		
14	-	not necessary		
15	25-0855	cable tree		VC... (incl. sine
	25-0854	cable tree		VCW... (incl. sine)
16	25-2905	electronic board		supplied with part 17
17	25-1913	fuse (T 0,2/250 V)		
18	10-1308	temperature limiter		VC 10
	10-1024	temperature limiter	(Thermostat)	VC-VCW 15,20,25-/1, sine 18 make and style may differ to picture and unit within control box
19	13-7234	plug		
20	04-0009	nut		
21	12-0010	clamp		
22	02-0088	screw		
23	20-1849	cable holder		
24	20-1848	cable holder		
25	20-1806	cable holder		
27	12-0020	contact protection		
26	13-0001	cable connection		
28	12-0019	disc		
29	11-1459	disc		
30	06-0010	screw		
31	-	switch box		see main component 12
32	08-6272	support		
33	16-4302	distance ring		
34	23-5727	screw		
35	11-1458	disc		
36	10-1002	thermometer		
37	10-1008	manometer		
38	10-0004	nut		
39	98-0138	packingring		
40	-	no longer available		part-no. 41 connects direct into 37, manometer
41	08-4219	flow switch connection		

Main component 13 Control box
VC 10, VC-VCW 15,20,25-/1 T3 W, VC-VCW-sine 18 T3 W

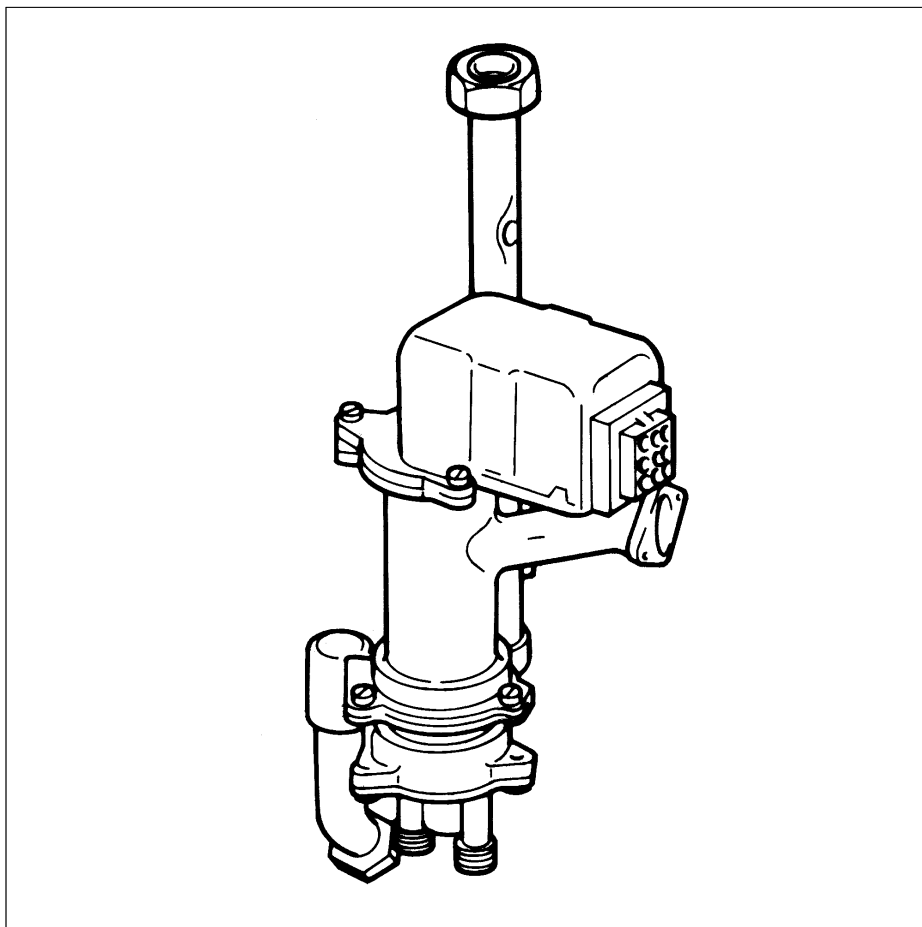


02 - 12 - 014. 01

Main component 13 Control box
VC 10, VC-VCW 15,20,25-/1 T3 W, VC-VCW-sine 18 T3 W

Pict. No.	Article-No.	Part	Indic.	Type, Remarks
42	20-8909	support		VC 10
	08-6108	support		VC 15,20,25-/1, sine 18
	08-6514	support		VCW 15,20,25-/1, sine 18
43	10-5716	screw		
44	12-6213	micro-switch		only VCW... (incl. sine)
45	15-0012	disc		
46	08-6165	support		} only VC-VCW-sine 18
47	07-0334	screw		
48	09-1060	piezo ignition		
49	-	not necessary for british execution		

Main component 14



Flow switch
VC 8,10, VC 15,20,25-/1 T3 W, VC-sine 18 T3 W
Flow switch
VCW 15,20,25-/1 T3 W, VCW-sine 18 T3 W

Page

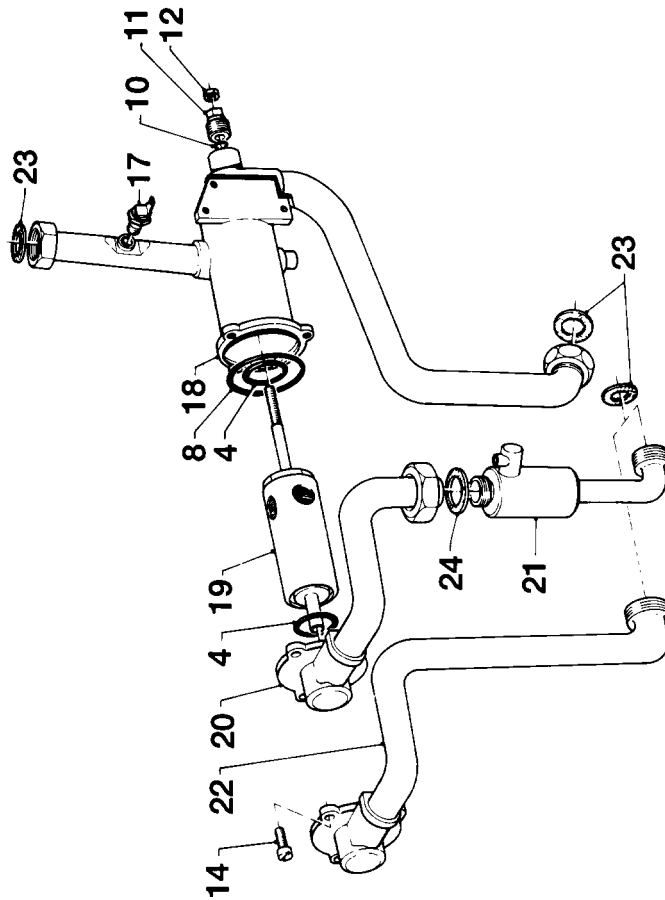
70 - 71

72 - 73

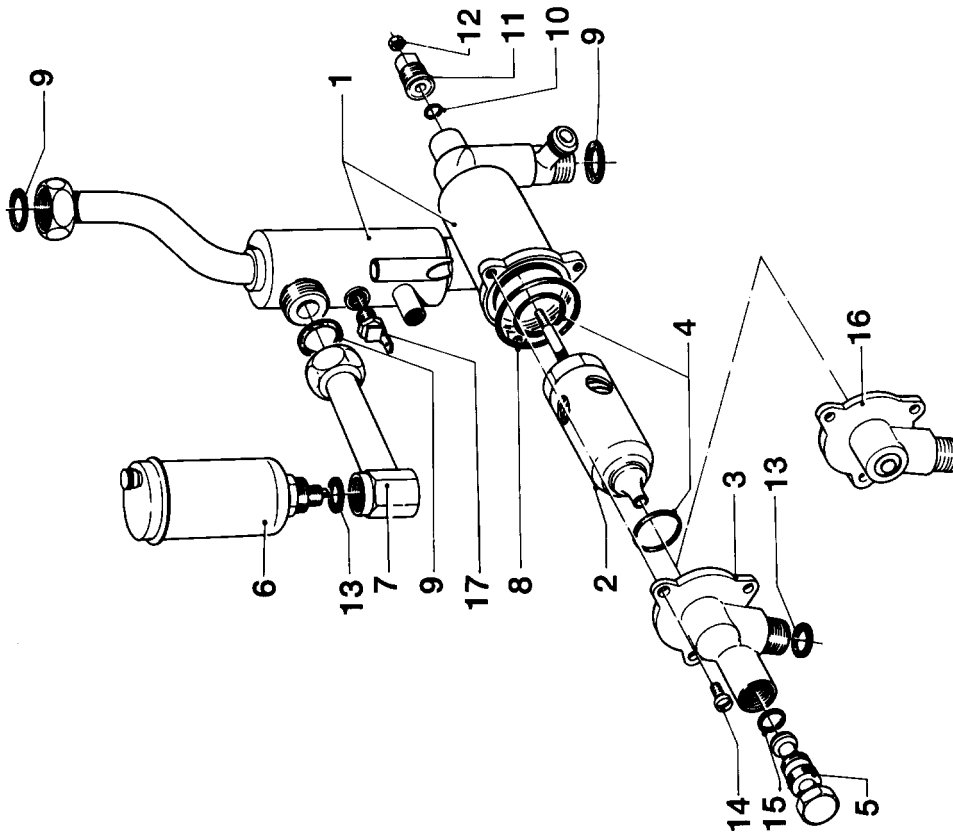
Main component 14 Flow switch

VC 8,10, VC 15,20,25-/1 T3 W, VC-sine 18 T3 W

Flow switch
 VC 15,20,25-/1 T3 W
 VC-sine 18 T3 W



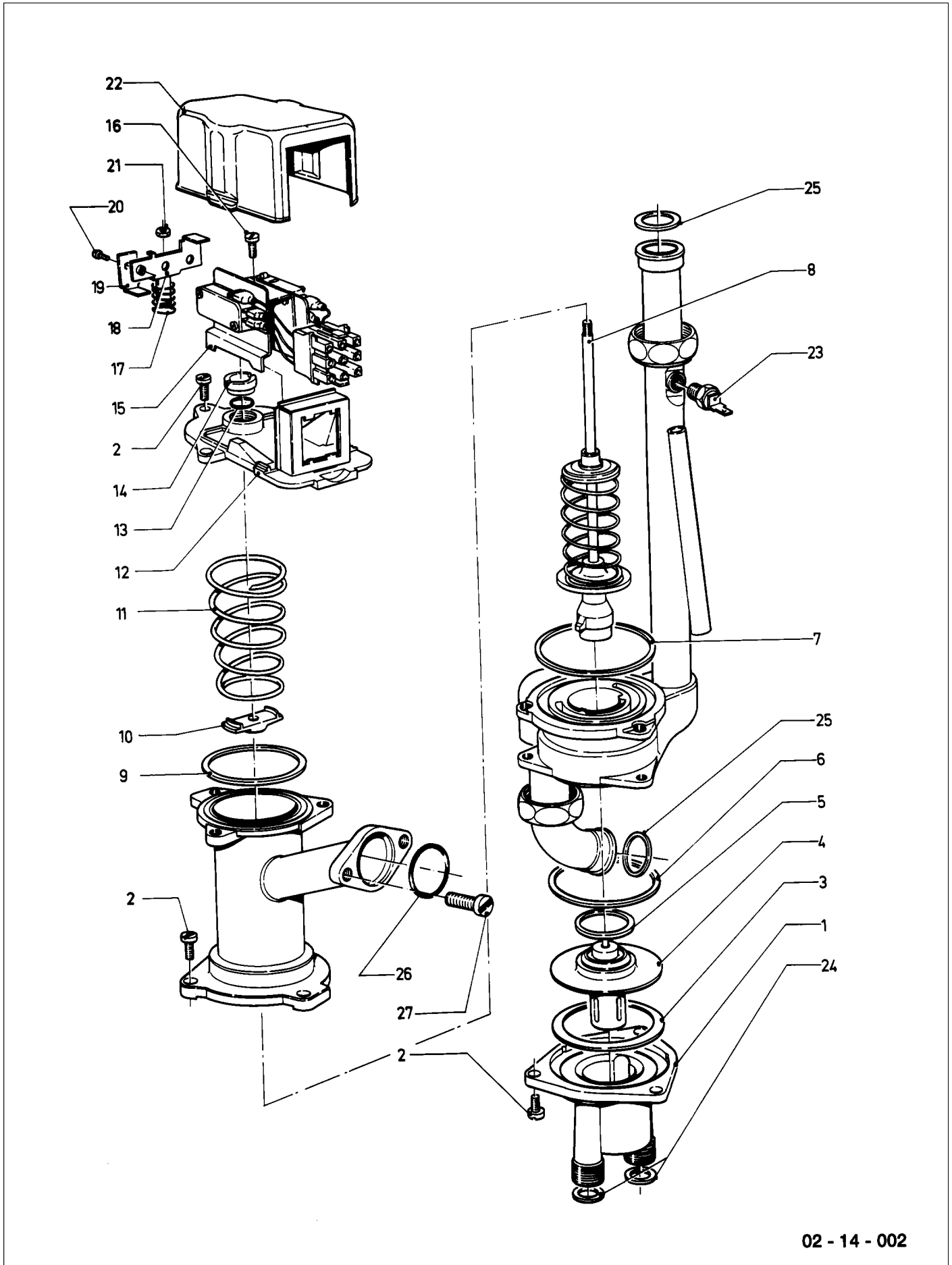
Flow switch
 VC 8,10



Main component 14 Flow switch
VC 8,10, VC 15,20,25-/1 T3 W, VC-sine 18 T3 W

Pict. No.	Article-No.	Part	Indic.	Type, Remarks
1	14-1012 14-1019	flow switch flow switch		VC 8 (supplied with parts 2-5,8,10-12,14,15) VC 10 (supplied with parts 2,4,8,10-12,14,16)
2	14-0204	extension body		supplied with part 4
3	08-2403	flange cpl.		VC 8
4	98-2495	packingring		
5	01-0717	spindle		
6	06-1707	automatic de-aerator		supplied with part 15
7	- 08-1379	connecting tube		VC 8 (no longer available) VC 10
8	98-0261	packingring		
9	98-0012	packingring		
10	98-0309	packingring		
11	14-0005	bush		
12	04-0009	nut		
13	98-0198 98-0151	packingring packingring		VC 8 VC 10
14	06-0010	screw		
15	98-0240	packingring		
16	08-2417	flange		} only VC 10
17	25-2805	ntc-sensor		
18	14-1016	flow switch		VC 15,20,25-/1, sine 18 (supplied with parts 4,8,10-12,14,19,22)
19	14-0004	extension body		supplied with parts 4,8
20-21	-	not necessary		
22	08-2420	flange		
23	98-0151	packingring		
24	98-0152	packingring		

Main component 14 Flow switch
VCW 15,20,25-/1 T3 W, VCW-sine 18 T3 W

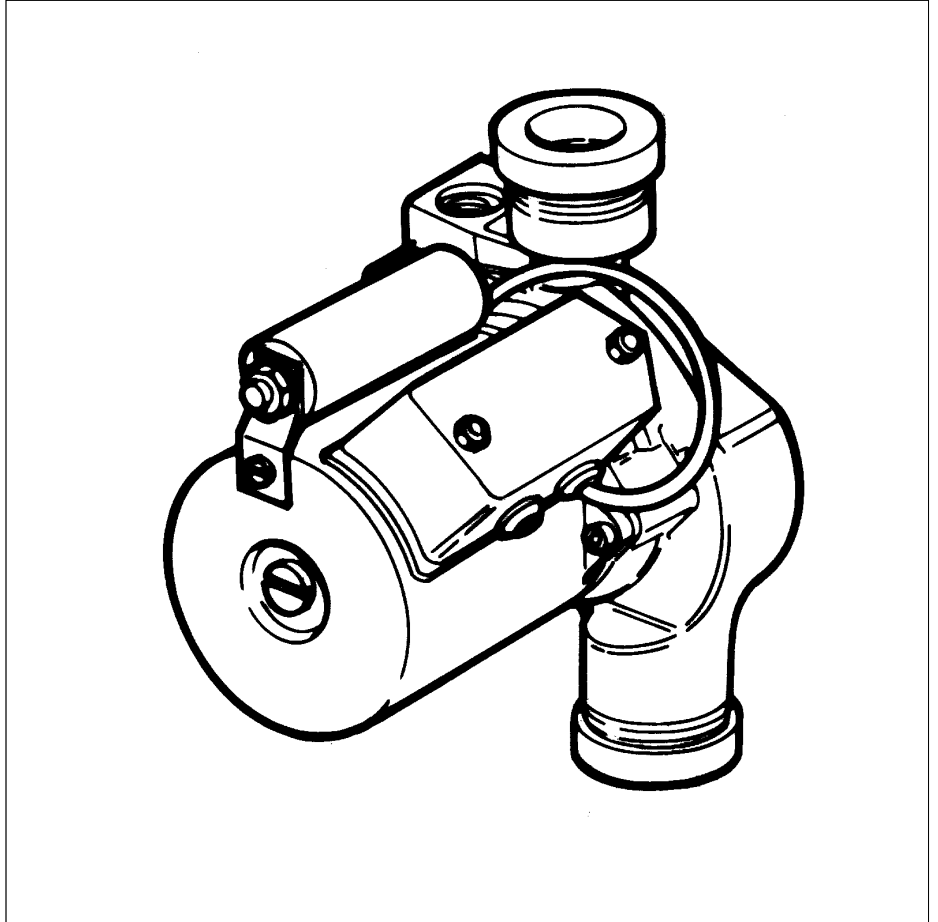


02 - 14 - 002

Main component 14 Flow switch VCW 15,20,25-/1 T3 W, VCW-sine 18 T3 W

Pict. No.	Article-No.	Part	Indic.	Type, Remarks
	14-1014	flow switch		supplied with parts 1-22
1	08-1522	connection piece		
2	95-0178	screw		
3	98-1024	packing ring set		supplied with parts 5,6,7,9,24-26
4	14-0106	thermo static element	(wax cap)	supplied with parts 3,5,6
5-7	-	single delivery not possible		see pict.-no. 3, 98-1024
8	01-0718	spindle		
9	-	single delivery not possible		see pict.-no. 3, 98-1024
10	12-4431	spring seat		
11	11-7015	spring		
12	08-2461	flange cpl.		supplied with parts 2,9,13,14,17-21
13	98-2445	packingring		
14	14-7606	regulating screw		
15	25-1729	switch		
16	06-0018	screw		
17	10-4115	spring		
18	18-8101	switching lever, cpl.		
19	18-8021	switching lever, cpl.		
20	95-0119	screw		
21	11-4876	nut		
22	20-3832	cap		
23	25-2805	ntc-sensor		
24	98-0223	packingring		
25	98-0151	packingring		
26	98-2442	packingring		
27	10-5736	screw		

Main component 16

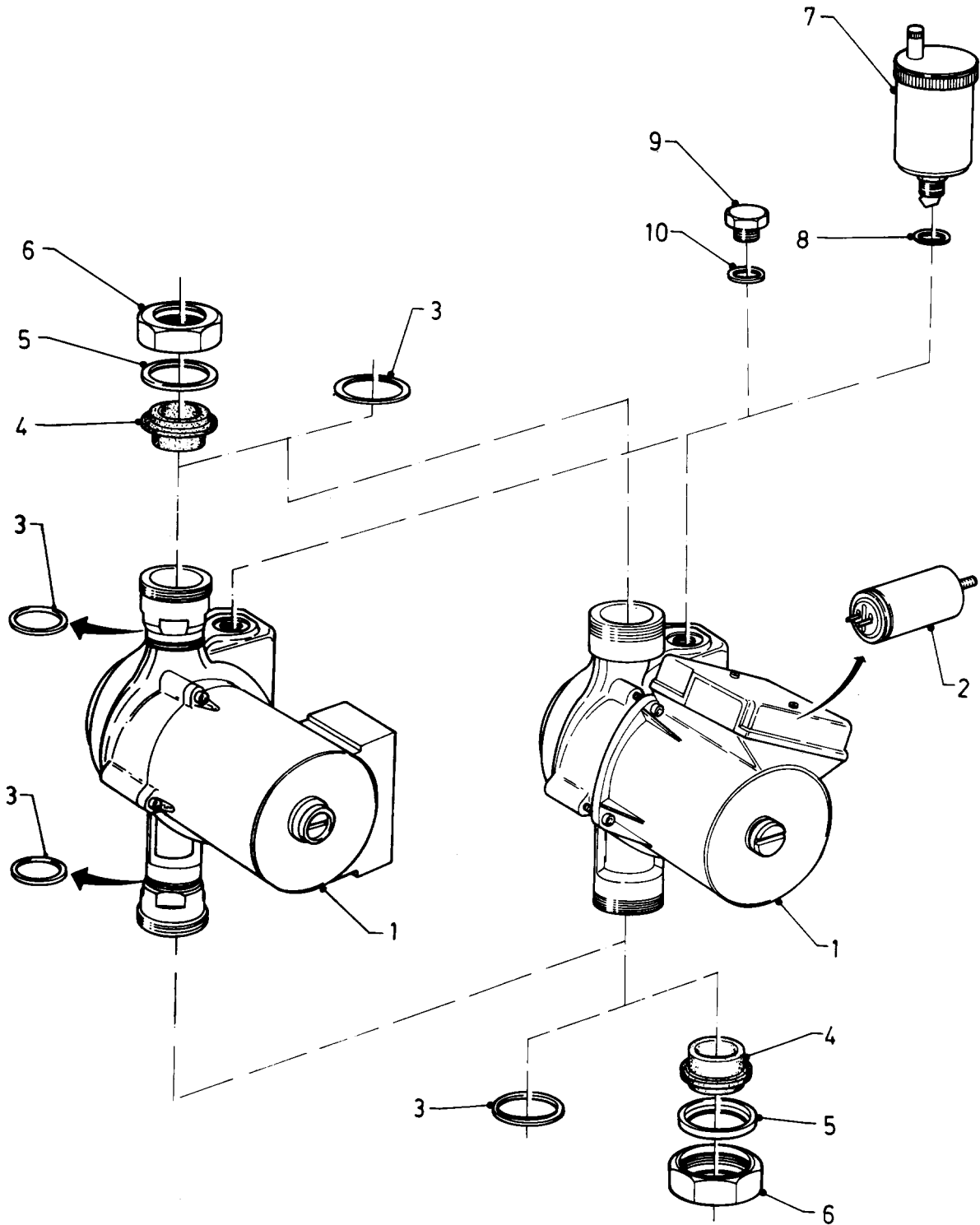


Pump
VC 8,10, VC-VCW 15,20,25-/1 T3 W, VC-VCW-sine 18 T3 W

Page

76 - 77

Main component 16 Pump
VC 8,10, VC-VCW 15,20,25-1 T3 W, VC-VCW-sine 18 T3 W



02 - 16 - 001

Main component 16 Pump

VC 8,10, VC-VCW 15,20,25-/1 T3 W, VC-VCW-sine 18 T3 W

Pict. No.	Article-No.	Part	Indic.	Type, Remarks
1	16-1110 16-1108 16-1109	pump pump pump	VP 4 (4 m) VP 5 (5 m) VP 6 (6 m)	VC 8,10 (supplied with parts 2,3) VC-VCW 15,20, sine 18 } VC-VCW 25 } supplied with parts 2,4,5,9,10
2	25-1311 25-1329 25-1333 25-1370 25-1384 25-1380	condenser condenser condenser condenser condenser condenser	2,5 uF 2,5 uF 3 uF 3 uF 2,6 uF 3 uF	exterior, with cable and thread bolt } VC 8/10 interior, with cable } exterior, with cable and thread bolt } interior, with cable } VC-VCW 15,20,25, sine 18 interior } interior, without cable, for soldering }
3	98-0151	packingring		VC 8,10
4-5	98-1023	packing ring set		} VC-VCW 15,20,25, sine 18
6	16-0013	sleeve nut		
7	06-1707	automatic de-aerator		supplied with part 8 } VC-VCW 15,20,25, sine 18
8	98-0223	packingring		
9	13-7247	plug		
10	98-0222	packingring		

Main component 18



Expansion vessel
VC 8,10, VC-VCW 15,20,25-/1 T3 W, VC-VCW-sine 18 T3 W

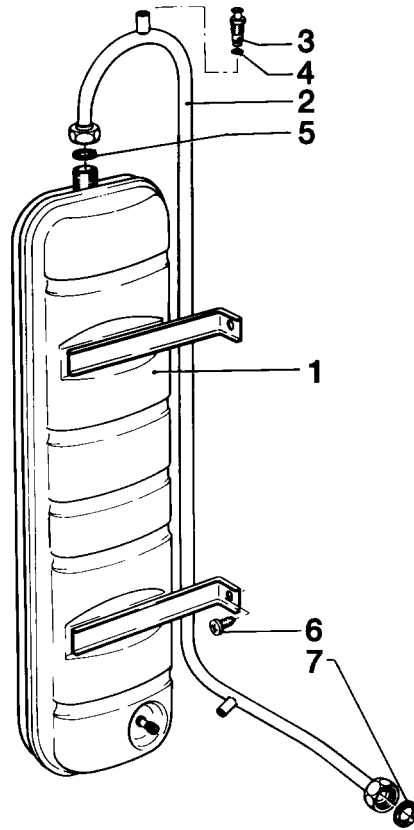
Page

80 - 81

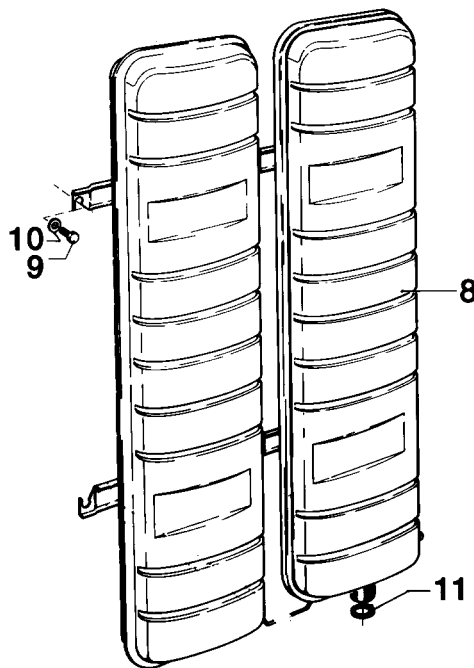
Main component 18 Expansion vessel

VC 8,10, VC-VCW 15,20,25-/1 T3 W, VC-VCW-sine 18 T3 W

Expansion vessel
VC 8,10



Expansion vessel
VC-VCW 15,20,25-/1 T3 W
VC-VCW-sine 18 T3 W



02 - 18 - 001

Main component 18 Expansion vessel
VC 8,10, VC-VCW 15,20,25-/1 T3 W, VC-VCW-sine 18 T3 W

Pict. No.	Article-No.	Part	Indic.	Type, Remarks
1	18-1005	expansion vessel		VC 8,10
2	08-1331	connection tube		supplied with part 4
3	14-0015	de-aeration screw		
4	98-2459	packingring		
5	98-0012	packingring		
6	23-5727	screw		
7	98-0198	packingring		
8	18-1001	expansion vessel		
9	10-5743	screw		VC-VCW 15,20,25.... } VC-VCW-sine 18 } to 2/78 supplied with part 13 }
10	07-0359	disc		
11	08-1374	connection tube		
12	08-1375	connection tube		
13	14-0015	de-aeration screw		
13	98-2459	packingring		
14	98-1749	packingring		
15	98-0432	packingring		