

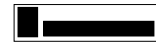
# VAILLANT SPARE PART CATALOGUE

Condensing system boilers

ECOmax VU 186 E, 226 E

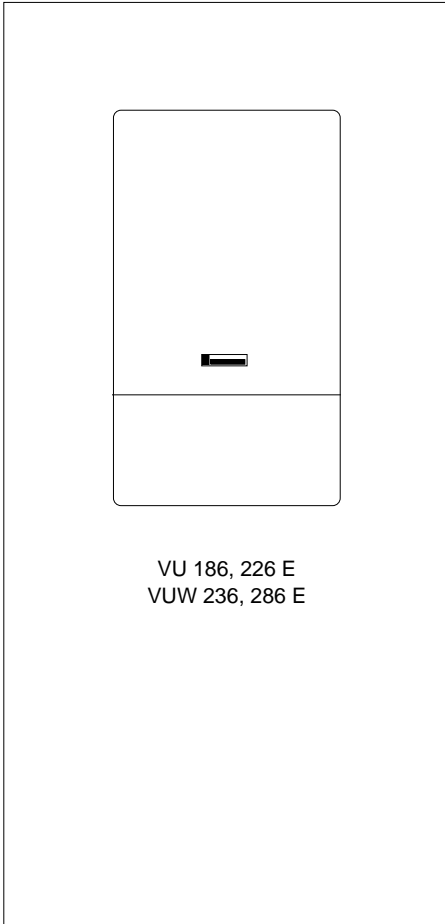
Condensing combination boilers

ECOmax VUW 236 E, 286 E



8026 62 GB 09/96

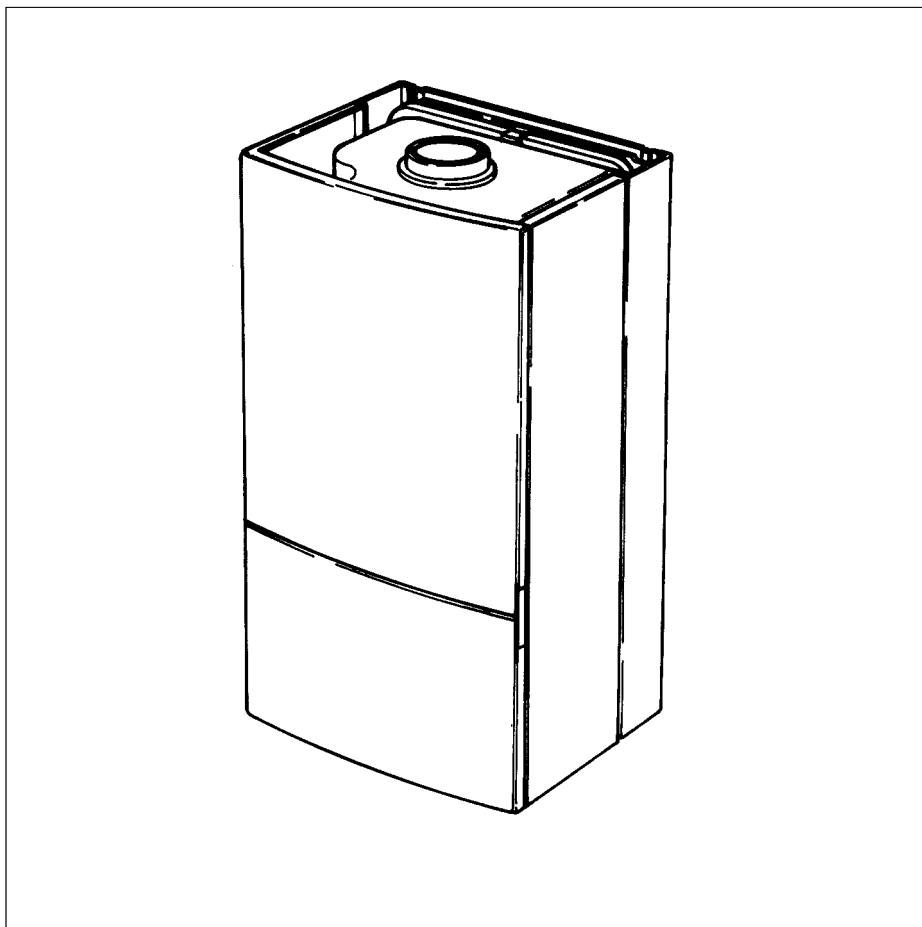
## View of appliances



## Content

	<b>Page</b>
<b>General view sheets</b>	3 - 4
<b>Main component 01</b> Water valve, Diverter valve	5 - 9
<b>Main component 04</b> Burner, Flue fan	11 - 13
<b>Main component 05</b> Gas section, pressure control	15 - 17
<b>Main component 06</b> Heat exchanger, Condensing water drain	19 - 23
<b>Main component 07</b> Casing parts, Air pressure chamber, Flue pipe Vertical air/flue duct assembly, Individual parts for air/flue system accessories	25 - 33
<b>Main component 08</b> Connection parts, Flow switch conduction	35 - 39
<b>Main component 12</b> Control box, Switch box	41 - 47

## General view sheets

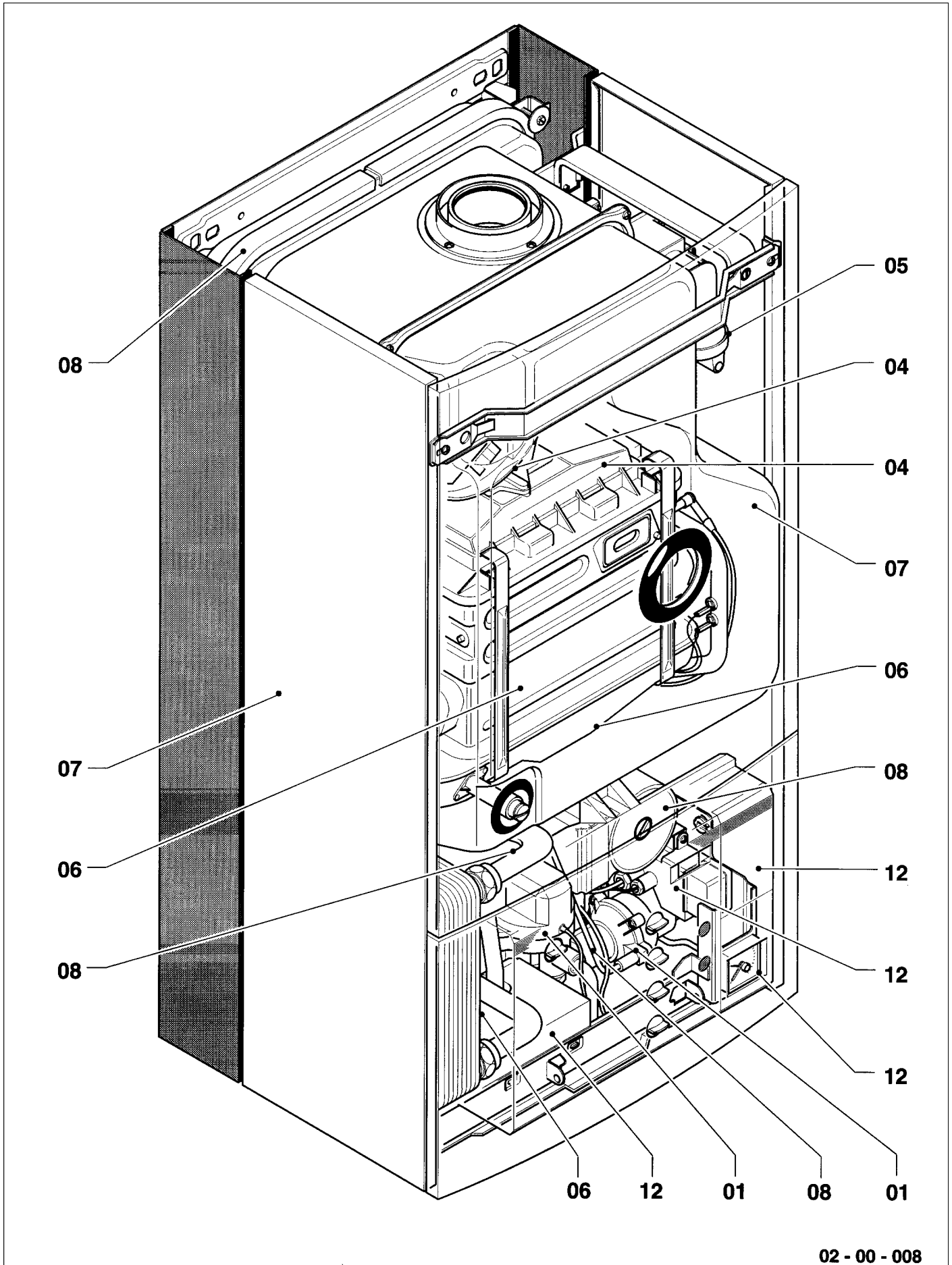


VU 186, 226 E, VUW 236, 286 E

Page

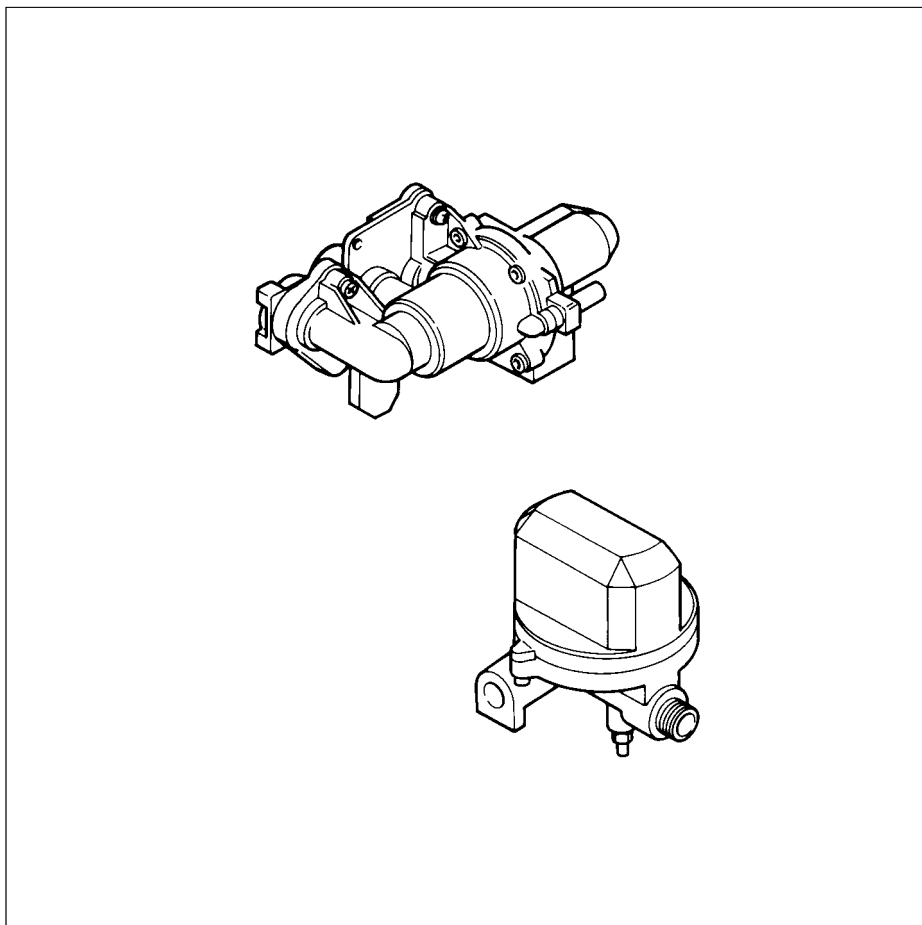
4

**General view sheets**  
**THERMOcompact ECOMax VU 186, 226 E,**  
**COMBIcompact ECOMax VUW 236, 286 E**



**02 - 00 - 008**

## Main component 01



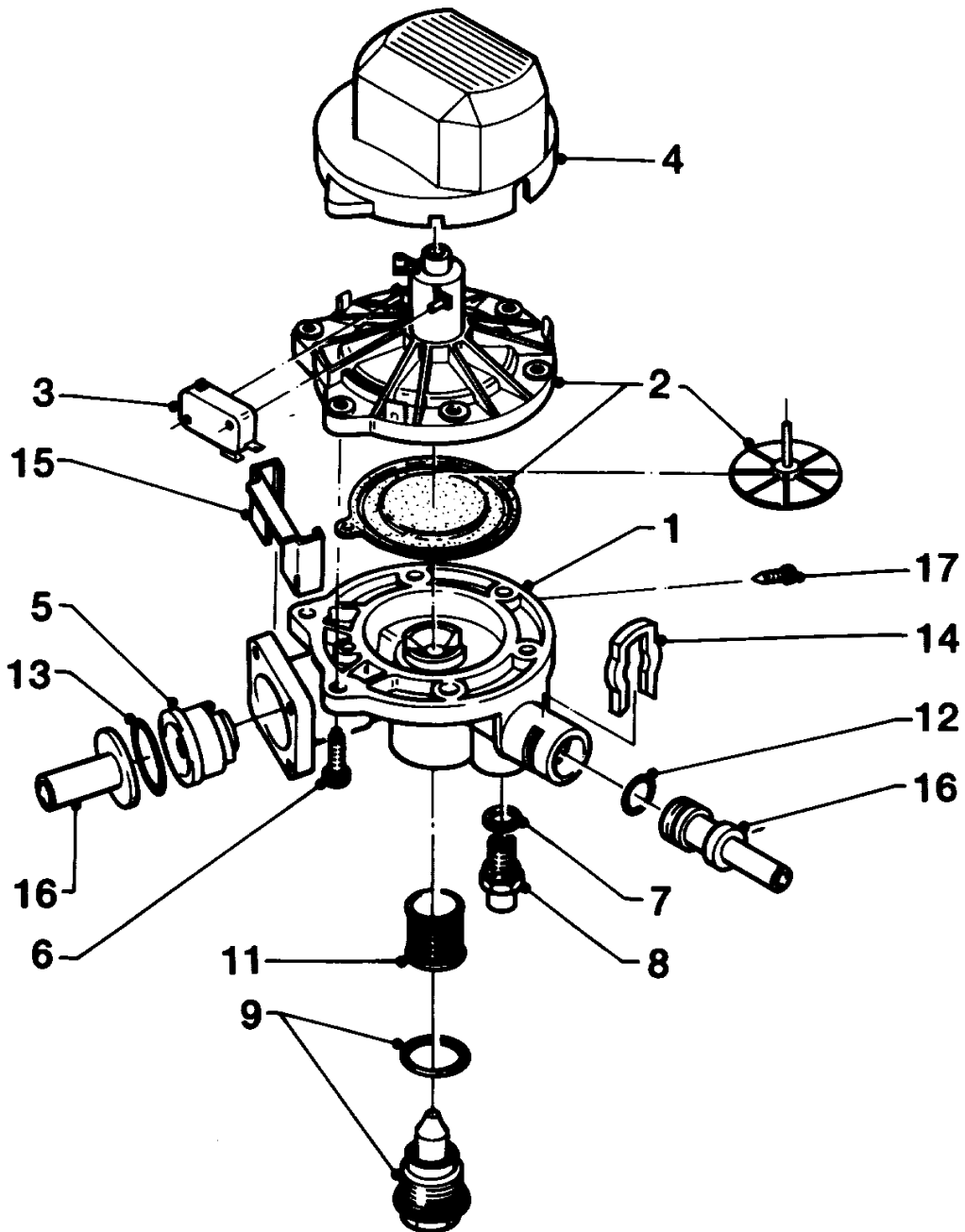
Water Valve  
VUW 236, 286 E  
Diverter Valve  
VUW 236, 286 E

**Page**

6 - 7

8 - 9

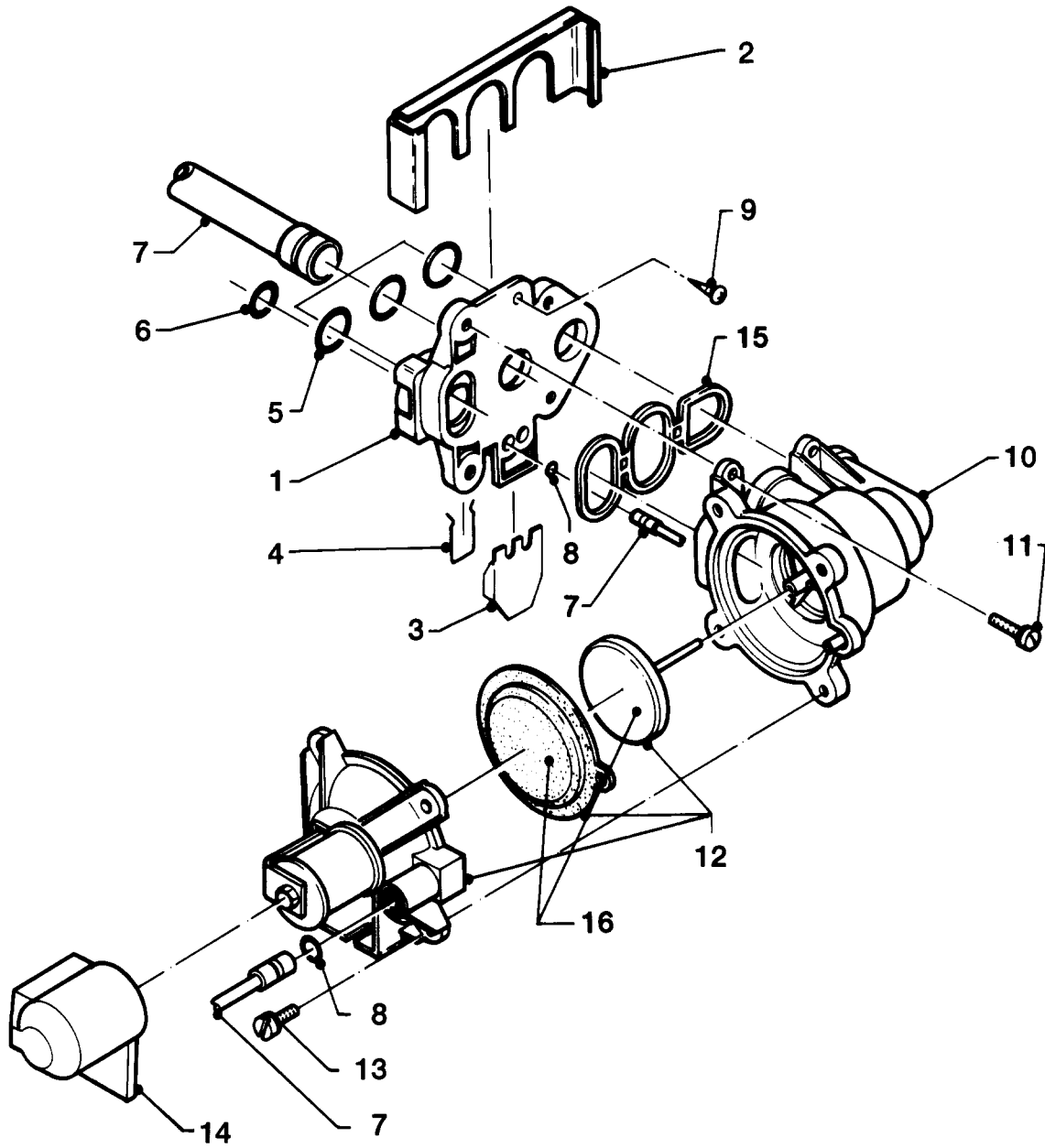
**Main component 01 Water Valve**  
**VUW 236, 286 E**



## Main component 01 Water Valve VUW 236, 286 E

Pict. No.	Article-No.	Part	Indic.	Type, Remarks
1	01-1263	water valve		supplied with parts 2-11,14
2	01-3050	upper part cpl.		supplied with parts 3,4
3	12-6246	micro-switch		
4	20-5548	cap		
5	01-2685	flow limiter		
6	11-8946	screw		
7	98-1898	packingring		
8	01-2686	overpressure valve		
9	01-2687	valve,cpl.		
10	98-2494	o-ring		
11	12-8519	filter		
12	98-0149	o-ring		
13	98-2331	o-ring		
14	21-9602	bow		
15	15-4149	bow		
16	-	connetion tube		see main component 08
17	23-5715	screw		

Main component 01 Diverter Valve  
VUW 236, 286 E



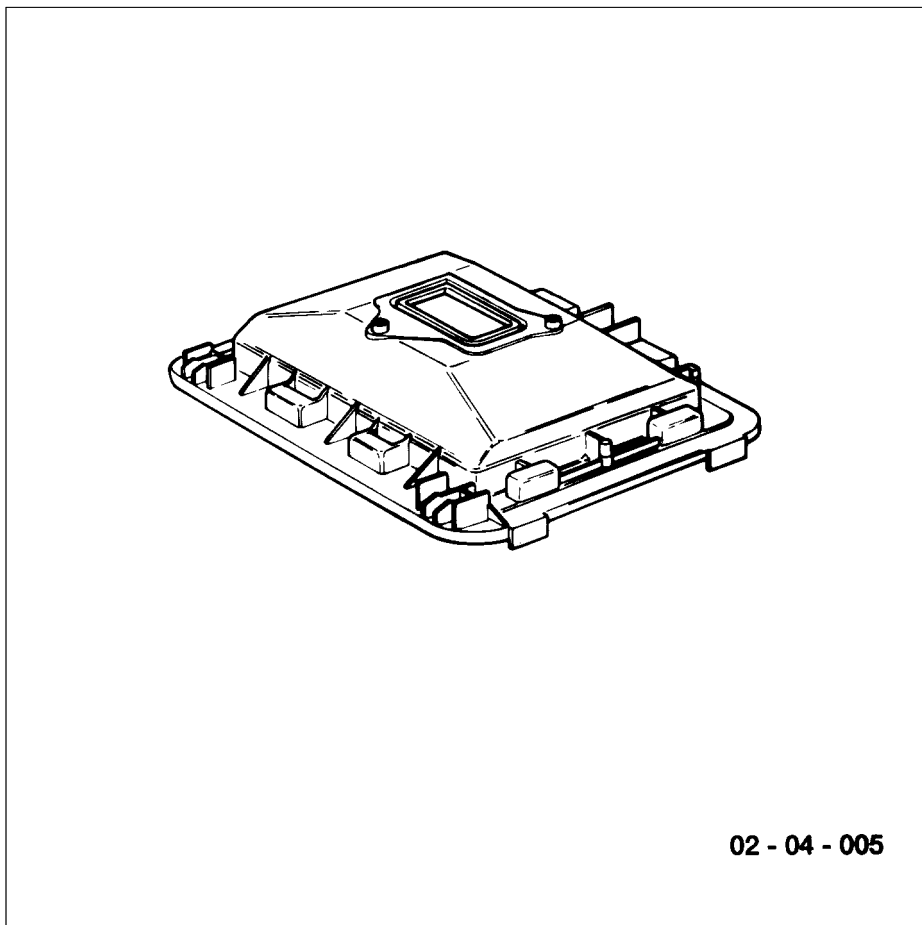
02 - 01 - 002. 01



## Main component 01 Diverter Valve VUW 236, 286 E

Pict. No.	Article-No.	Part	Indic.	Type, Remarks
1	08-2424	flange		
2	08-5753	support		
3	08-5752	support		
4	15-4150	bow		
5	98-2442	packingring		
6	98-0305	packingring		
7	-	connection pipes		see main component 06 + 08
8	98-2490	packingring		
9	23-5715	screw		
10	01-4631	diverter valve		supplied with parts 11-15
11	11-8946	screw		
12	29-5131	casing		supplied with part 14
13	10-5758	screw		
14	07-9515	cap		
15	98-0953	packingring		
16	01-0354	diaphragm,cpl.		

## Main component 04

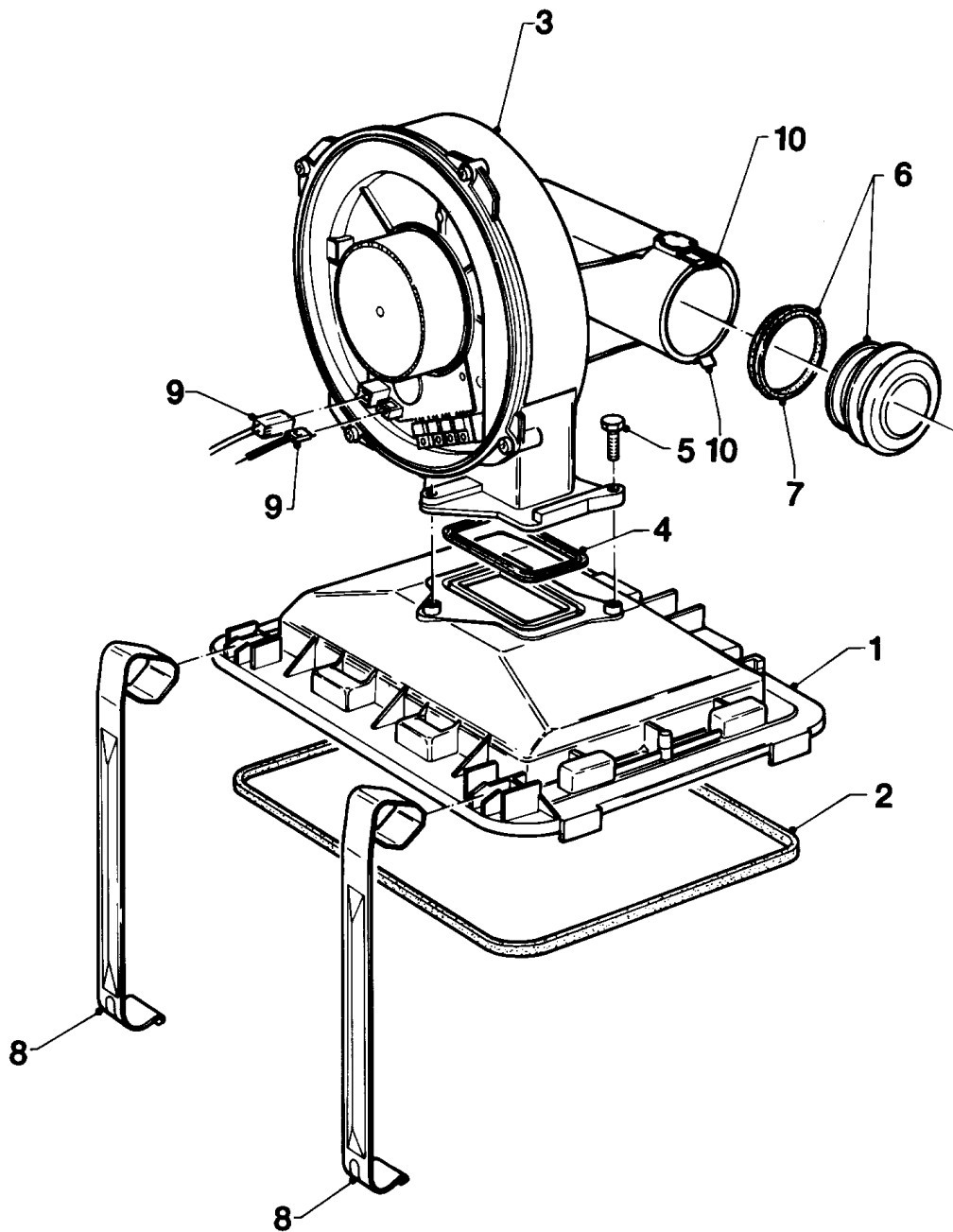


Burner, Flue fan  
VU 186, 226 E, VUW 236, 286 E

Page

12 - 13

**Main component 04 Burner, Flue fan**  
**VU 186, 226 E H,B, VUW 236, 286 E H,B**

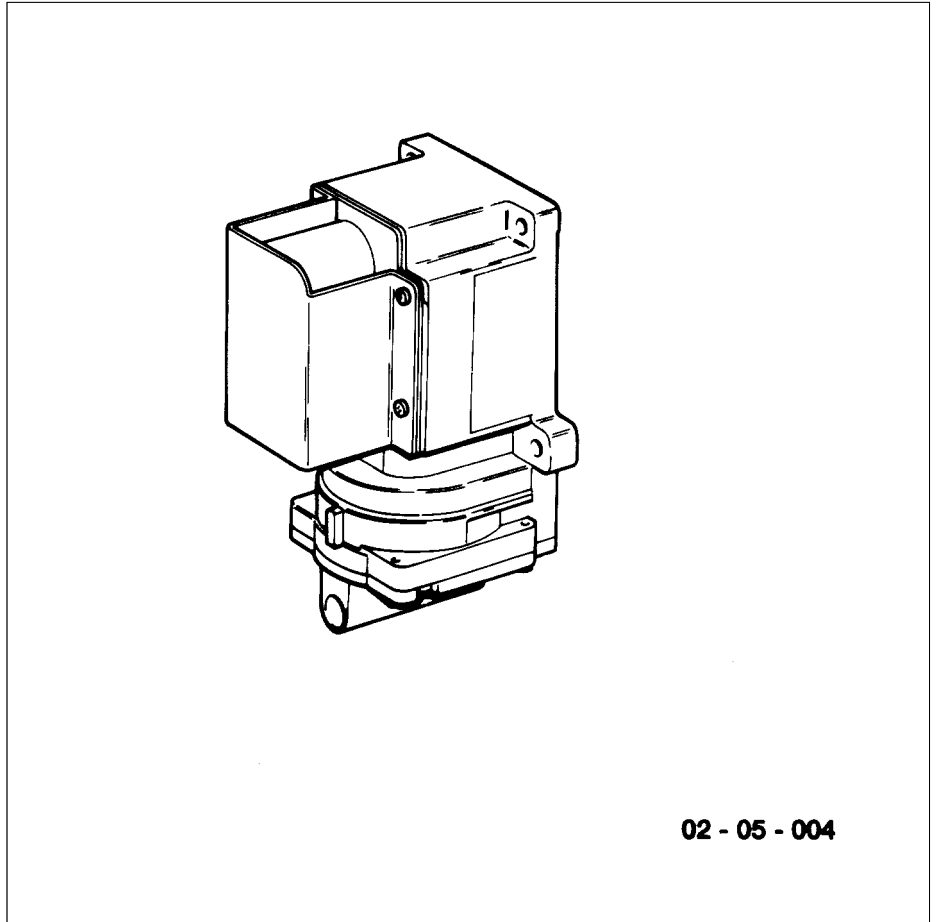


02-04-001

## Main component 04 Burner, Flue fan VU 186, 226 E H,B, VUW 236, 286 E H,B

Pict. No.	Article-No.	Part	Indic.	Type, Remarks	
				H = Natural gas, B = LP-gas	
1	04-9228	burner		VU 186, VUW 236 } supplied with parts 2,4,5 VU 226, VUW 286 }	
	04-9229	burner			
2	28-2890	sealing profile		VU 186, VUW 236 VU 226, VUW 286	
	28-2889	sealing profile			
3	19-0153	flue fan		supplied with parts 4,5,10	
4	98-2333	packingring			
5	11-6424	screw			
6	07-5347	covering plate	ø 30,3 ø 32,2 ø 32,1 ø 34,2		H VU 186, VUW 236 } H VU 226, VUW 286 } supplied with part 7 B VU 186, VUW 236 } B VU 226, VUW 286 }
	07-5348	covering plate			
	07-5354	covering plate			
	07-5355	covering plate			
7	98-0973	packingring			
8	18-8733	spring clip			
9	73-3678	cable tree		VU...	
	73-3677	cable tree		VUW...	
10	12-6174	spring			

## Main component 05

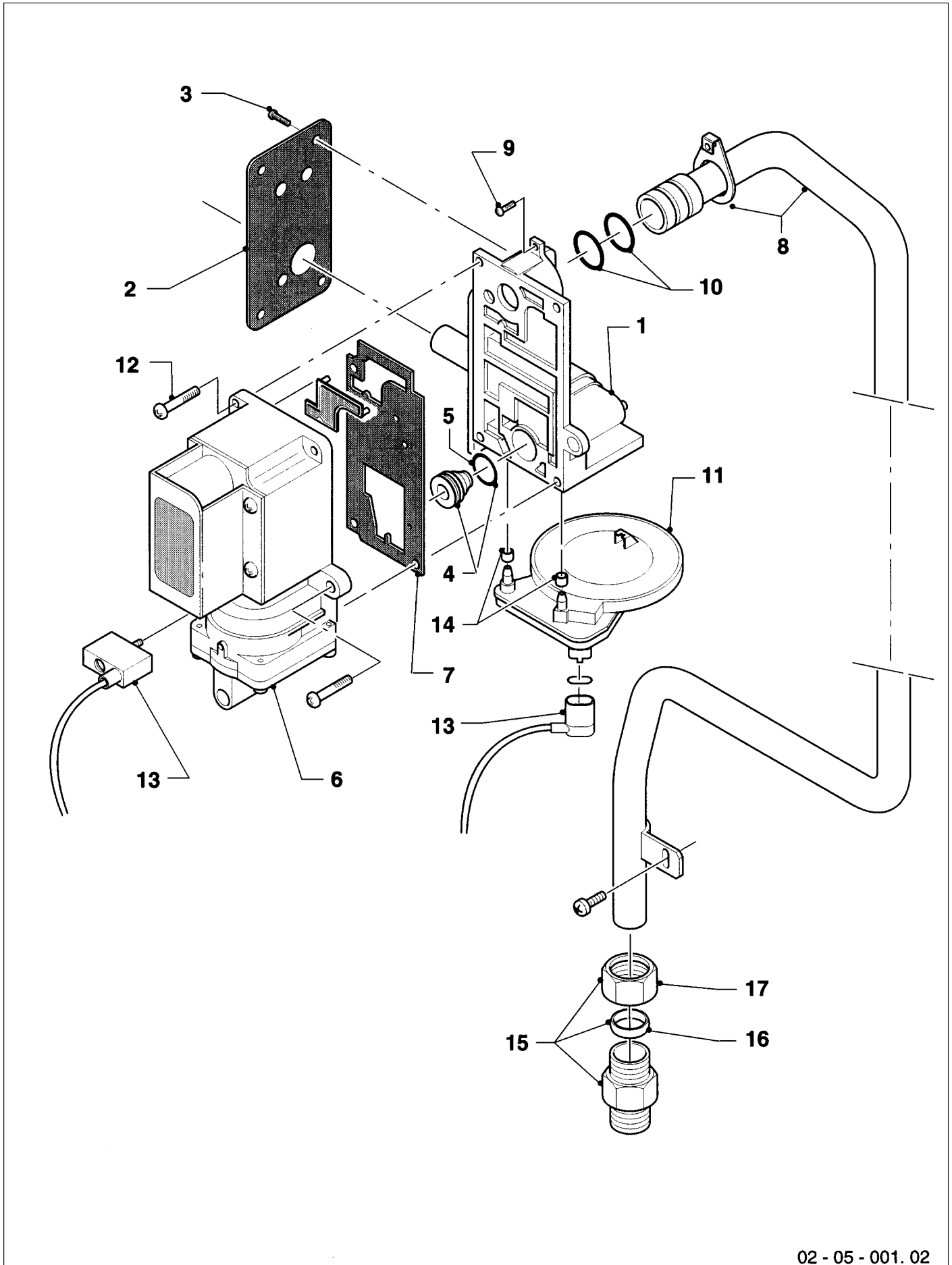


Gas section, Pressure control  
VU 186, 226 E, VUW 236, 286 E

Page

16 - 17

**Main component 05 Gas section, Pressure control**  
**VU 186, 226 E, VUW 236, 286 E**

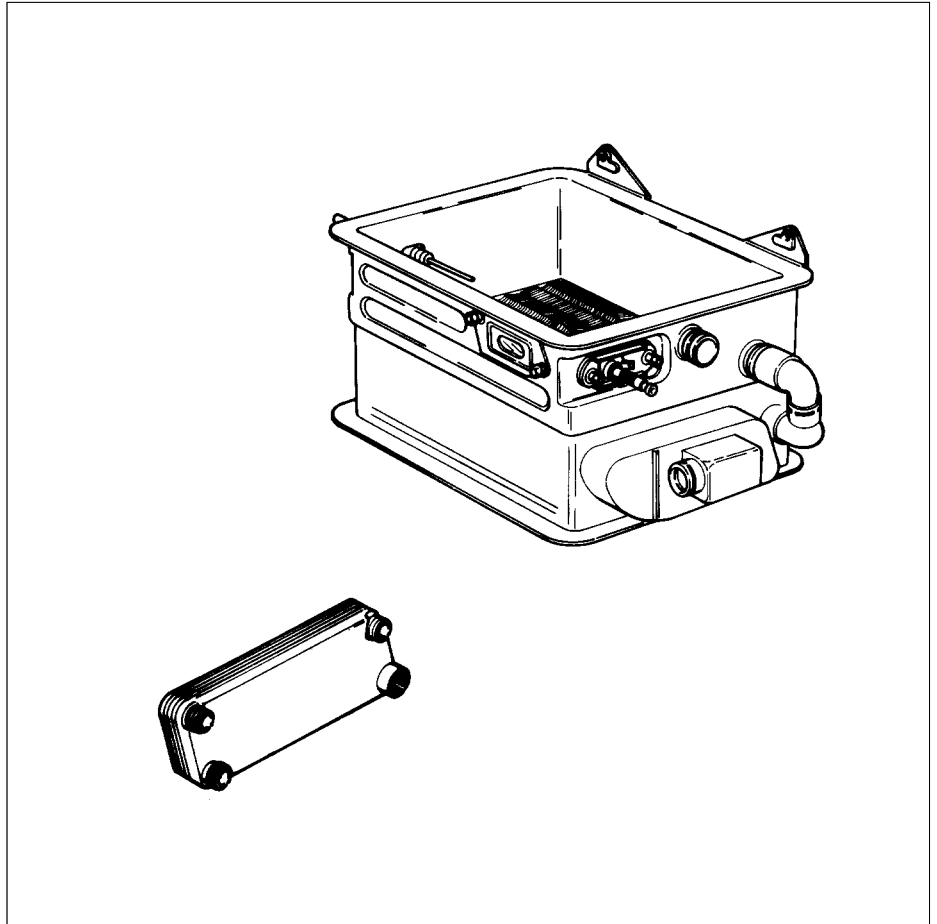


02 - 05 - 001. 02

**Main component 05 Gas section, Pressure control  
VU 186, 226 E, VUW 236, 286 E**

Pict. No.	Article-No.	Part	Indic.	Type, Remarks
1	-	not available as a spare part		
2	98-0964	gasket		
3	11-8826	screw		
4	-	not available as a spare part		
5	98-2335	packingring		
6-7	05-3213	gas section		
8	08-2637	gas connection		supplied with part 10
9	11-8937	screw		
10	98-2344	o-ring		
11	28-5530	pressure control		
12	-	single delivery not possible		supplied with part 05-3213
13	73-3680	cable tree		VU...
	73-3325	cable tree		VUW...
14	98-0982	packingring		

## Main component 06



Heat exchanger (to 04/96), Condensing water drain  
VU 186, 226 E, VUW 236, 286 E

**Page**

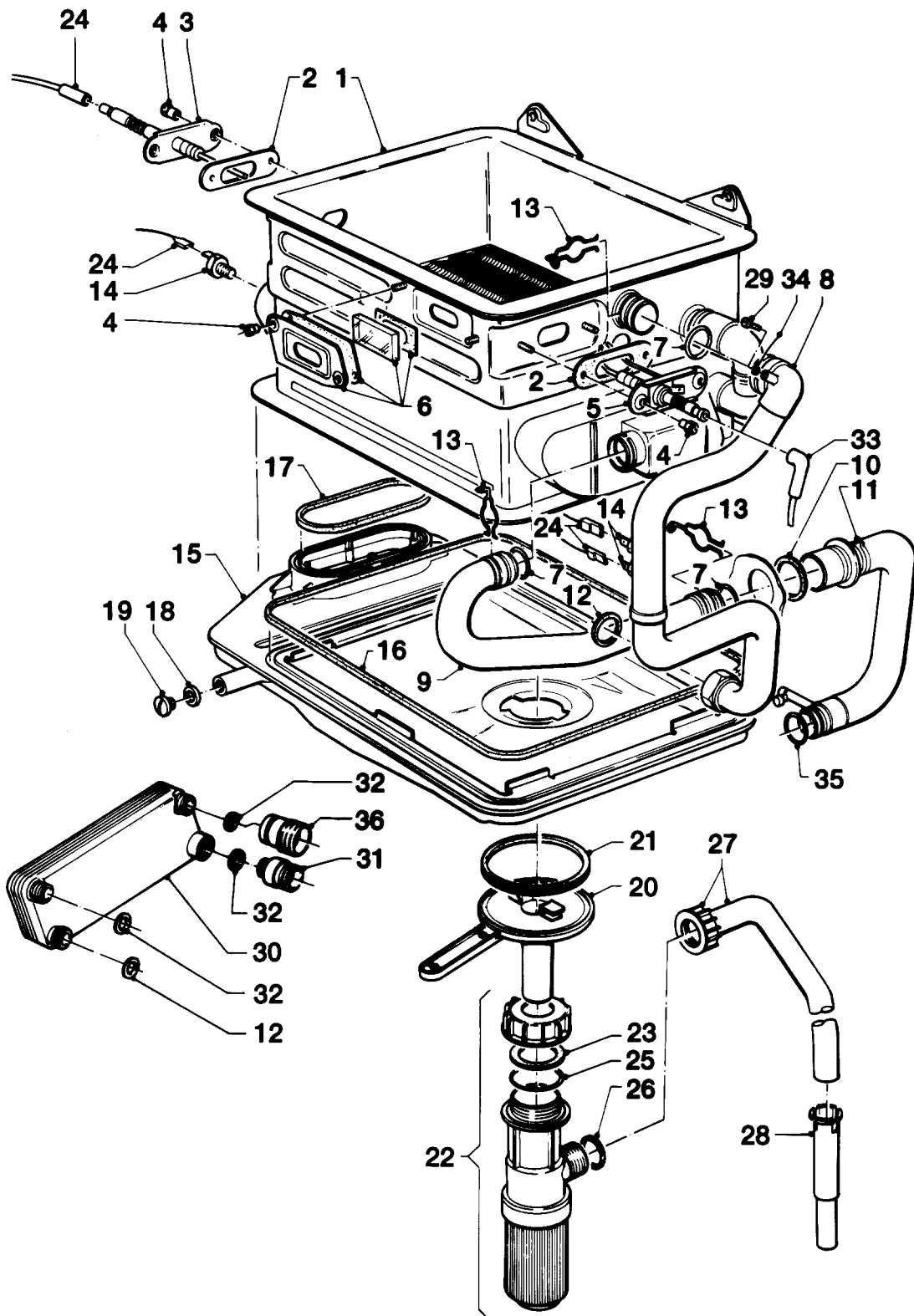
20 - 21

Heat exchanger (from 05/96), Condensing water drain  
VU 186, 226 E, VUW 236, 286 E

22 - 23



**Main component 06 Heat exchanger (to 04/96), Condensing water drain  
VU 186, 226 E, VUW 236, 286 E**

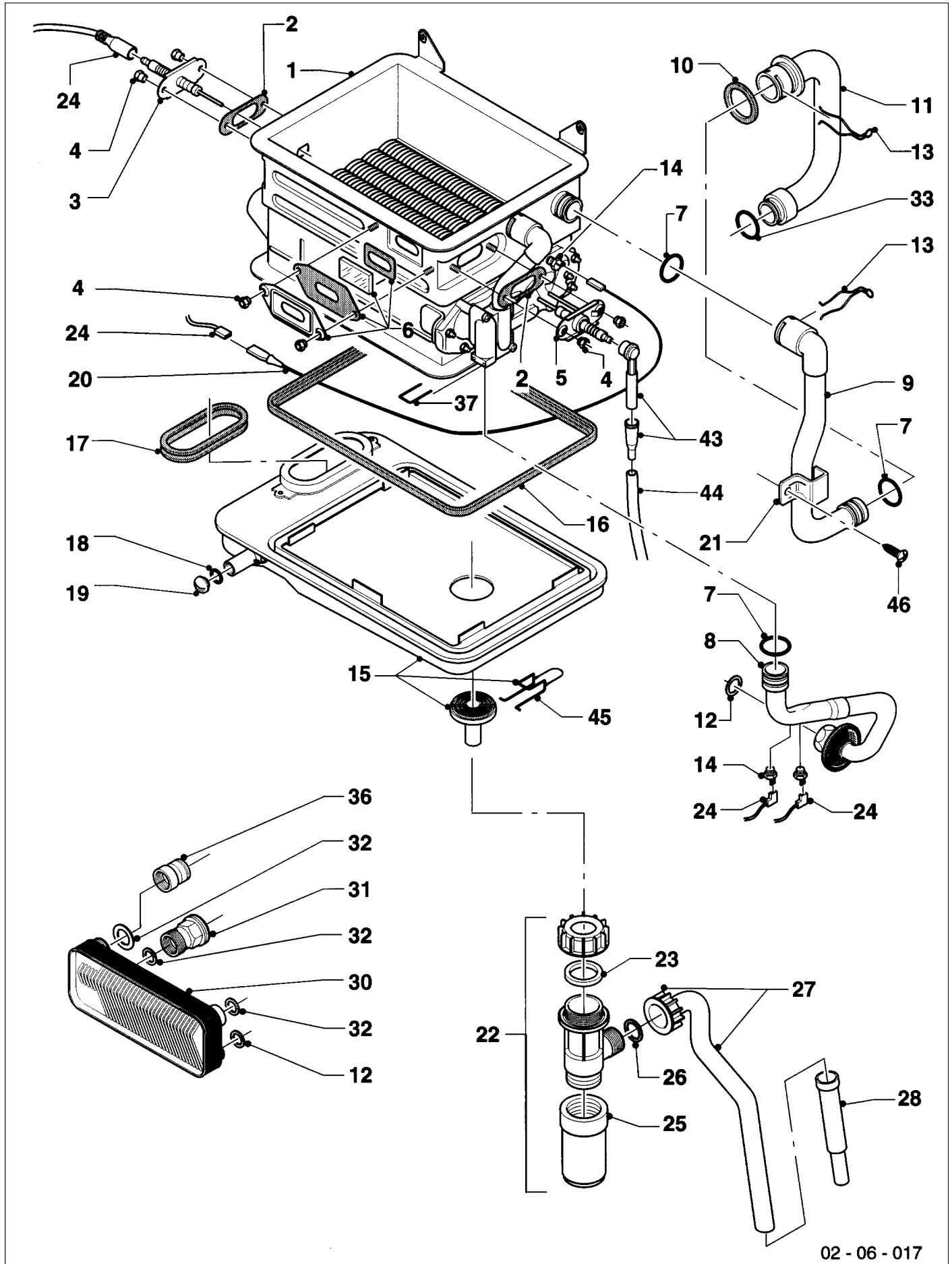


02 - 06 - 004. 01

## Main component 06 Heat exchanger (to 04/96), Condensing water drain VU 186, 226 E, VUW 236, 286 E

Pict. No.	Article-No.	Part	Indic.	Type, Remarks
1	-	heat exchanger	HW	no longer available, see execution from 05/96 (page 22-23)
2	98-0961	packingring		supplied with parts 2,4
3	09-0699	monitoring electrode		
4	11-4622	nut		
5	04-3120	ignition electrode		
6	16-1242	inspection glas		
7	98-2494	o-ring		
8	08-4042	flow water tube	VU 186, VUW 236	
	08-4043	flow water tube	VU 226, VUW 286	
9	08-4037	return tube		supplied with part 7
10	98-0977	packingring		return ( supplied with parts 10,32)
11	08-9271	connecting tube		
12	98-1511	packingring		
13	25-2602	plug		
14	25-2805	ntc-sensor		
15	07-6881	flue cap		supplied with part 16-21
	07-6882	flue cap	VU 186, VUW 236 VU 226, VUW 286	
16	28-2890	sealing profile		VU 186, VUW 236
	28-2889	sealing profile		VU 226, VUW 286
17	28-2891	sealing profile		
18	01-0082	screw		
19	98-1805	packingring		
20-21	-	single delivery not possible		see pict.-no. 15
22	01-1504	siphon		
23	98-0978	packingring		
24	73-3678	cable tree		VU...
	73-3677	cable tree		VUW...
25	98-2306	packingring		
26	98-1602	packingring		
27	01-1597	condensing water pipe		
28	-	-		not necessary for British appliances execution
29	10-5804	screw		
30	06-4947	heat exchanger		supplied with parts 12,31,32
31	13-6387	nipple		
32	98-1508	packingring		
33	25-2601	plug		
-	73-3244	ignition wire		not shown
34	-	single delivery not possible		supplied with part 73-3678 (VU) or 73-3677 (VUW)
35	98-2442	packingring		
36	13-6389	nipple		

**Main component 06 Heat exchanger (from 05/96), Condensing water drain**  
**VU 186, 226 E, VUW 236, 286 E**

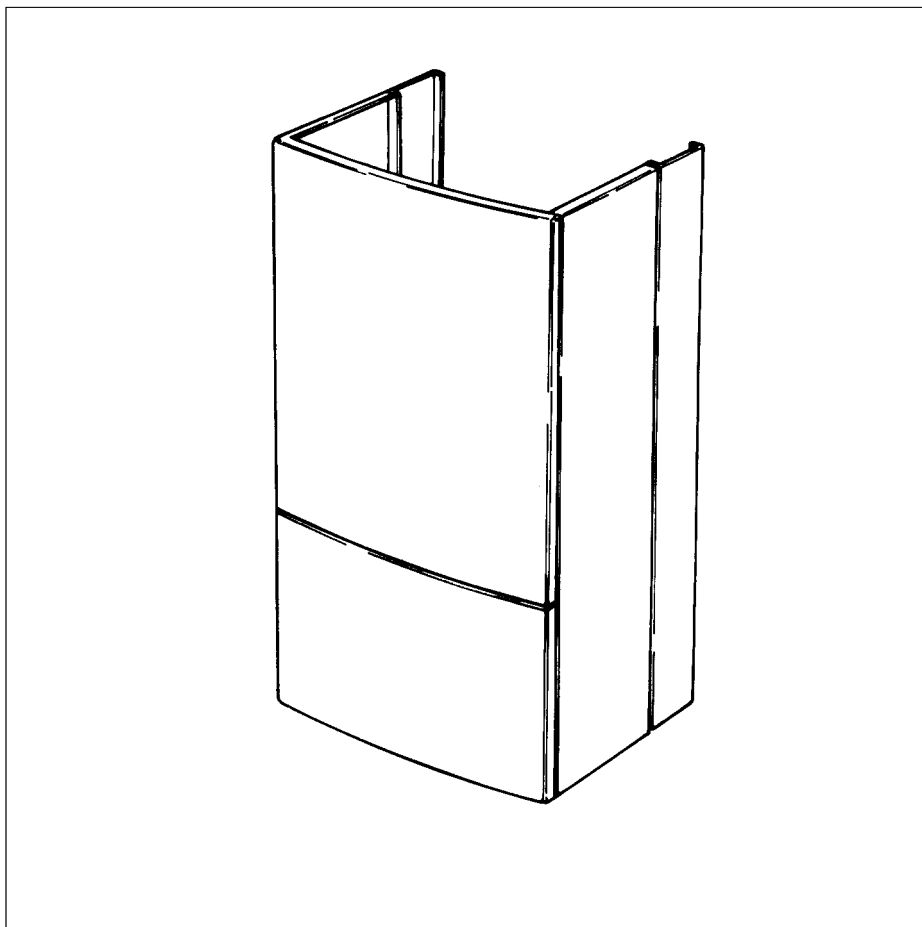


02 - 06 - 017

## Main component 06 Heat exchanger (from 05/96), Condensing water drain VU 186, 226 E, VUW 236, 286 E

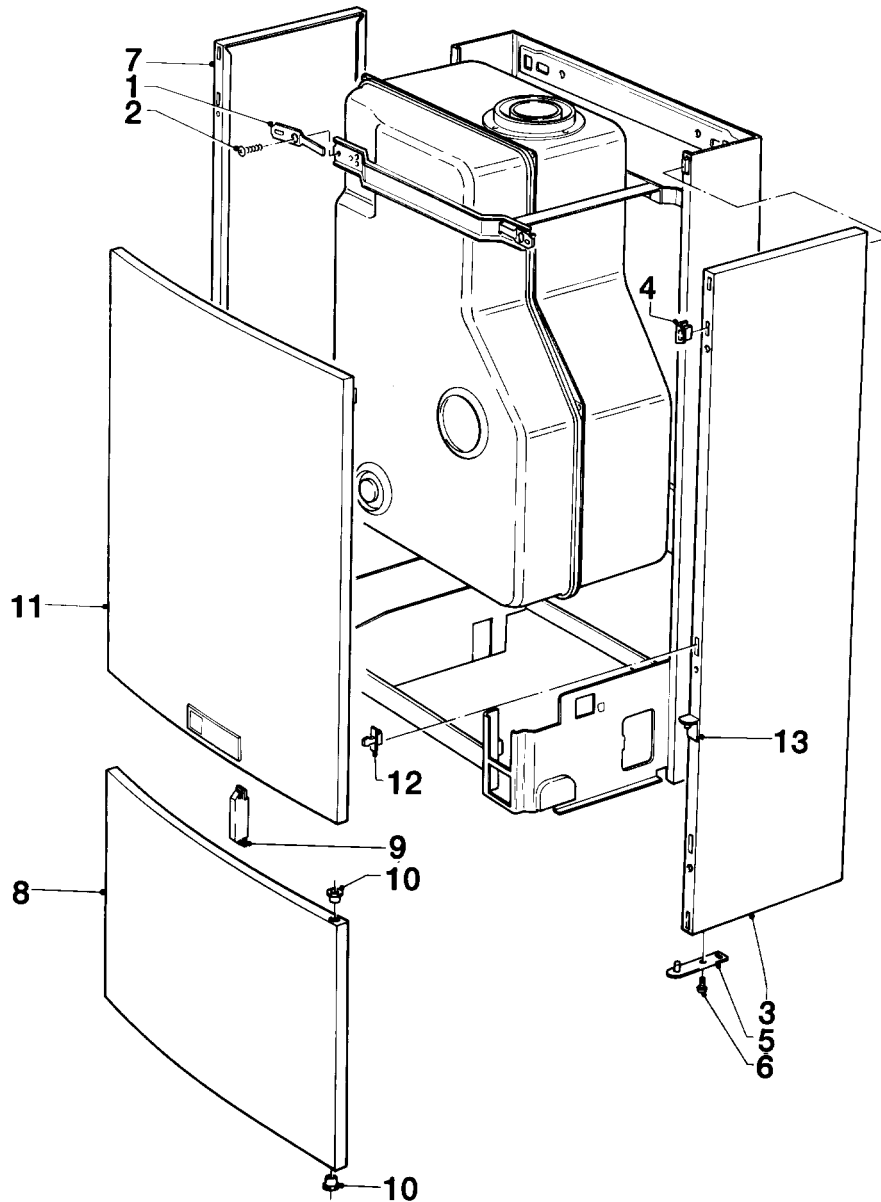
Pict. No.	Article-No.	Part	Indic.	Type, Remarks
1	06-5007	heat exchanger	HW	VU 186, VUW 236 (supplied with parts 2-6,8,6,16,20,21,46)
	06-5008	heat exchanger	HW	VU 226, VUW 286 (supplied with parts 2-6,8,9,16,20,21,46)
2	98-0961	packingring		supplied with parts 2,4
3	09-0699	monitoring electrode		
4	11-4622	nut		
5	04-3120	ignition electrode		
6	16-1242	inspection glas		
7	98-2494	o-ring		
8	08-4094	flow water tube		
	08-4095	flow water tube		VU 226, VUW 286 (supplied with parts 7,12)
9	08-4066	return tube		VU 186, VUW 236 (supplied with part 7)
	08-4059	return tube		VU 226, VUW 286 (supplied with parts7)
10	98-0977	packingring		return (supplied with parts 10,32)
11	08-9271	connecting tube		
12	98-0151	packingring		
13	25-2602	plug		
14	25-2805	ntc-sensor		
15	07-6881	flue cap		VU 186, VUW 236 (supplied with parts 16-19)
	07-6882	flue cap		VU 226, VUW 286 (supplied with parts 16-19)
16	28-2890	sealing profile		VU 186, VUW 236
	28-2889	sealing profile		VU 226, VUW 286
17	28-2891	sealing profile		
18	98-1805	packingring		
19	01-0082	screw		
20	25-5758	cable		
21	18-8687	clamp		
22	01-1504	siphon		
23	98-0978	packingring		
24	73-3678	cable tree		VU...
	73-3677	cable tree		VUW...
25	01-1502	siphon		
26	98-1602	packingring		
27	01-1597	condensing water pipe		
28	-	-		not necessary for British appliances execution
30	06-4947	heat exchanger		VUW (supplied with parts 12,31,32)
31	13-6387	nipple		
32	98-1508	packingring		
33	98-2442	packingring		
36	13-6389	nipple		
37	15-4160	bow		
43	25-2606	plug		
44	73-3244	ignition wire		
45	10-4708	spring		
46	11-8888	screw		

## Main component 07



	<b>Page</b>
Casing parts VU 186, 226 E, VUW 236, 286 E	26 - 27
Air pressure chamber, Flue pipe VU 186, 226 E, VUW 236, 286 E	28 - 29
Vertical air/flue duct assembly (Acc.-no. 300345) VU 186, 226 E, VUW 236, 286 E	30 - 31
Individual parts for air/flue system accessories VU 186, 226 E, VUW 236, 286 E	32 - 33

**Main component 07 Casing parts**  
**VU 186, 226 E, VUW 236, 286 E**

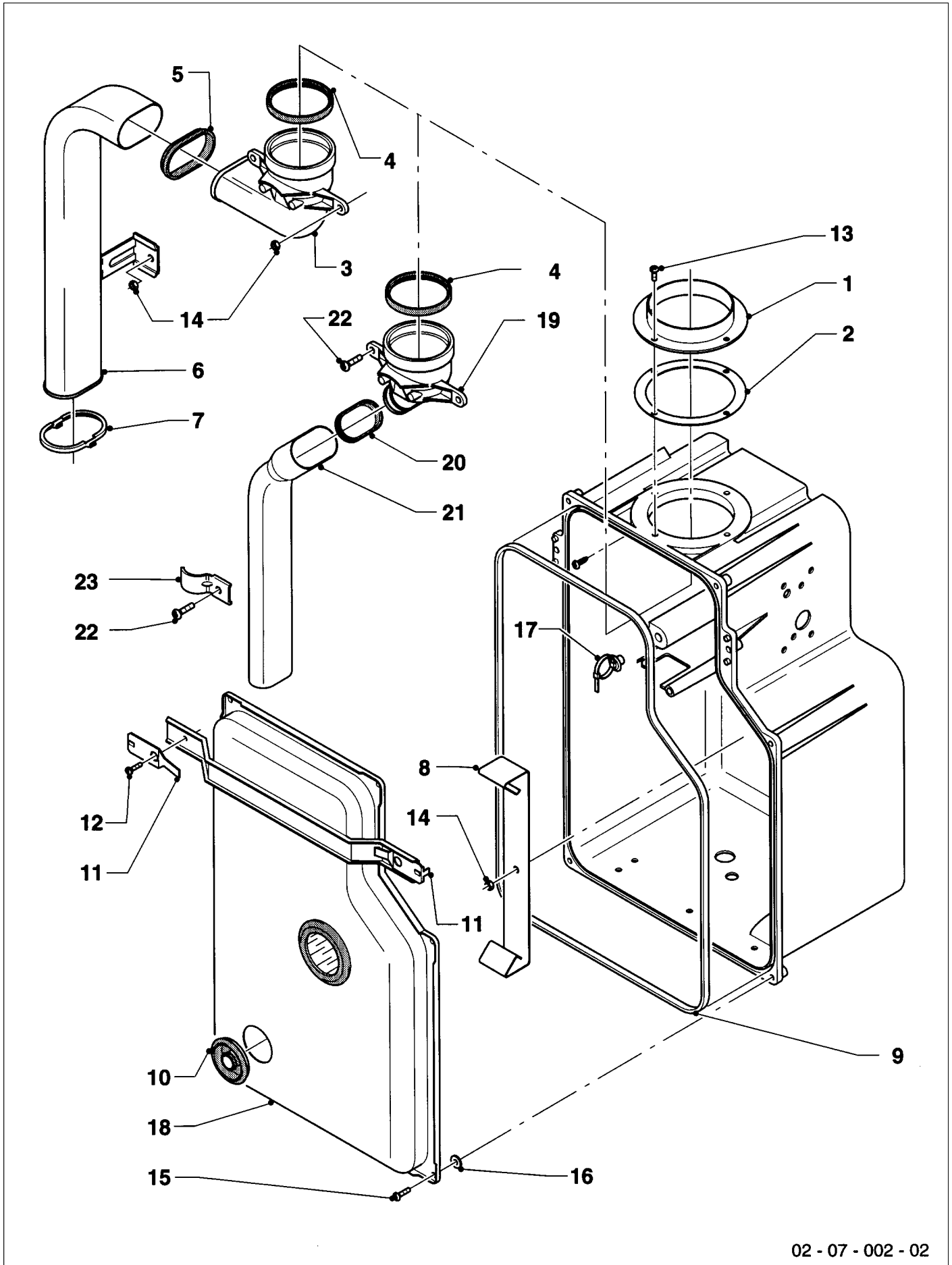


02 - 07 - 013

**Main component 07 Casing parts  
VU 186, 226 E, VUW 236, 286 E**

Pict. No.	Article-No.	Part	Indic.	Type, Remarks
1	19-5983	strip		
2	23-5756	screw		
3	07-9996	lateral panel		supplied with parts 4-6
4	28-7036	location piece		
5	08-8019	hinge		
6	50-0046	screw		
7	07-9995	lateral panel		supplied with part 4
8	07-8104	lower front panel,cpl.		supplied with parts 9,10
9	17-0346	magnet		
10	12-4870	bush		
11	07-8103	upper front panel,cpl.		supplied with part 12
12	08-2922	clip		
13	08-8018	hinge clip		

**Main component 07 Air pressure chamber, Flue pipe**  
**VU 186, 226 E, VUW 236, 286 E**



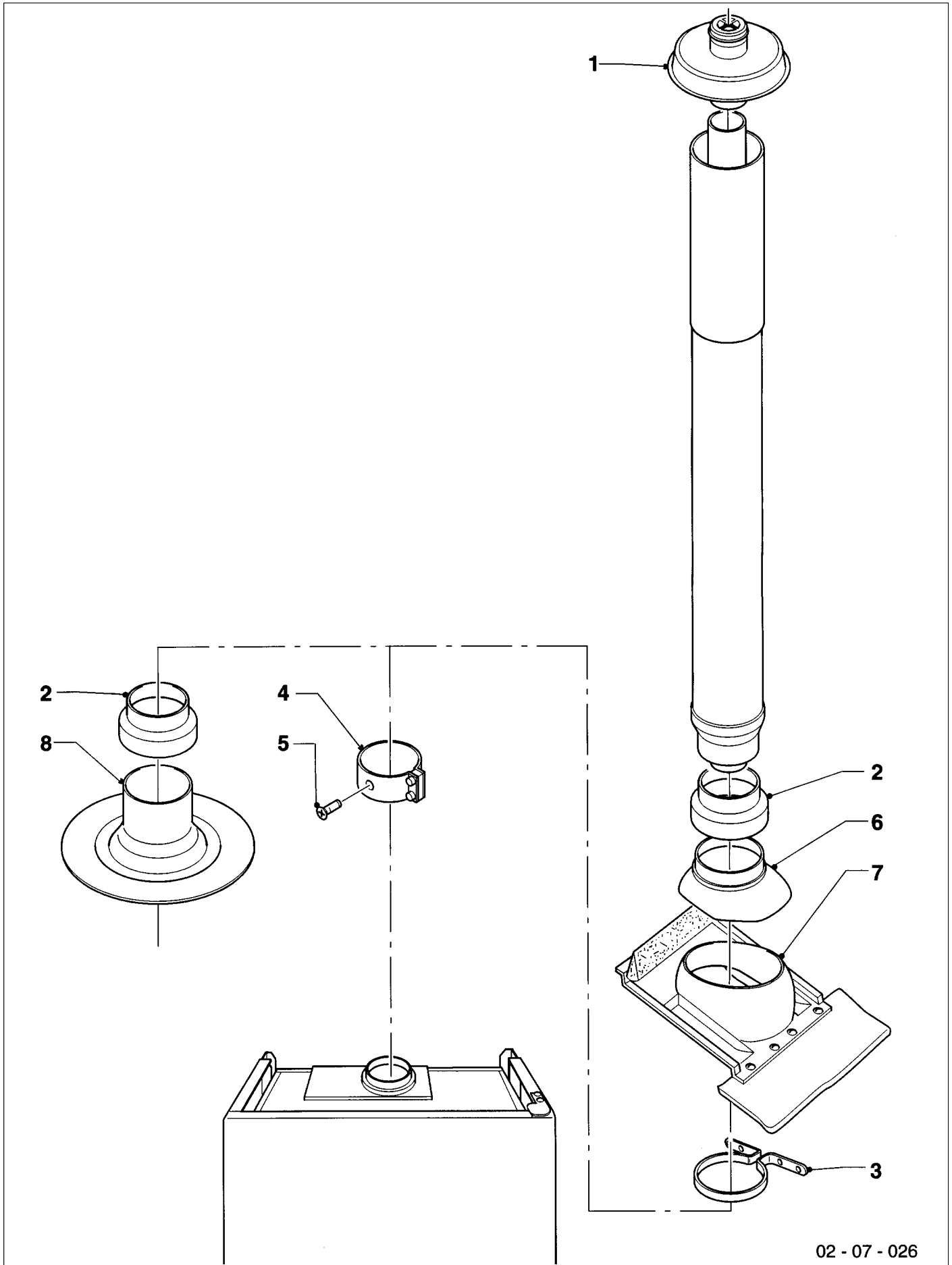
02 - 07 - 002 - 02



**Main component 07 Air pressure chamber, Flue pipe  
VU 186, 226 E, VUW 236, 286 E**

Pict. No.	Article-No.	Part	Indic.	Type, Remarks
1	14-7728	duct		supplied with parts 2,13
2	98-0959	packingring		
3	12-6840	bend		supplied with parts 4,5
4	23-7614	packingring		
5	23-7613	packingring		
6	14-6006	flue pipe		
7	08-8718	clamp		
8	18-8732	spring clip		
9	28-2888	sealing profile		
10	98-0960	packingring		
11	19-5976	strip		
12	23-5756	screw		
13	23-5715	screw		
14	11-4808	nut		
15	13-9227	screw		
16	25-1932	spring washer		
17	28-8417	cable fastener		
18	-	not available as a spare part		

**Main component 07 Vertical air/flue duct assembly (Acc.-no. 300345)**  
**VU 186, 226 E, VUW 236, 286 E**

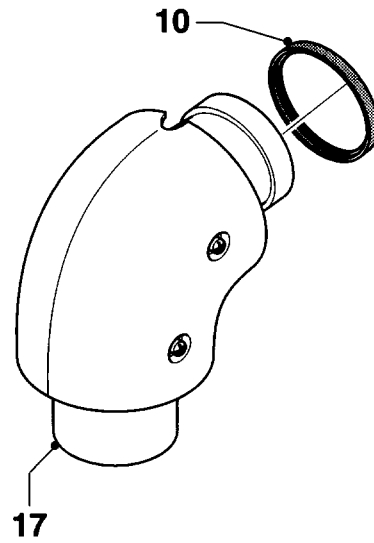
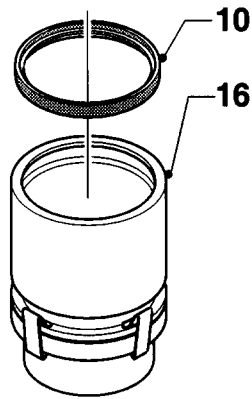
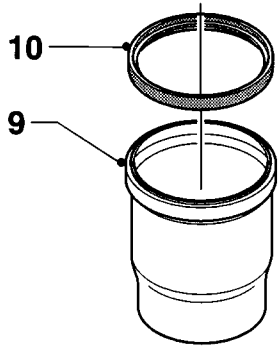
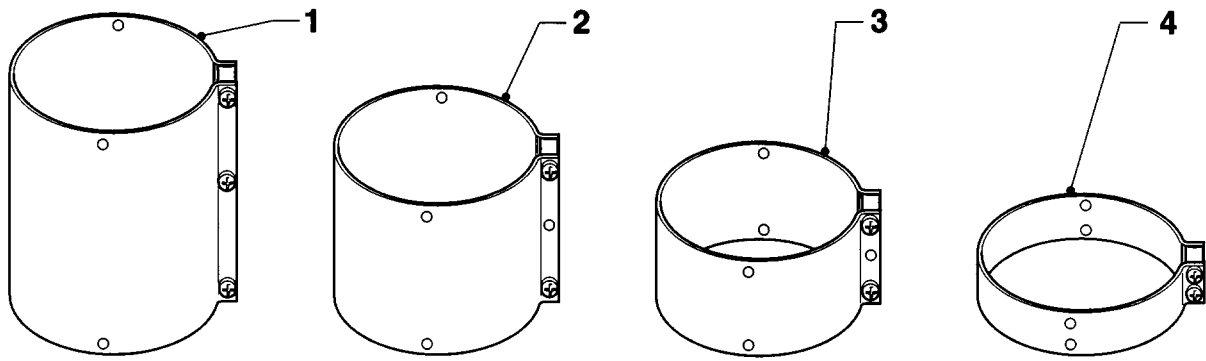


02 - 07 - 026

**Main component 07 Vertical air/flue duct assembly (Acc.-no. 300345)  
VU 186, 226 E, VUW 236, 286 E**

Pict. No.	Article-No.	Part	Indic.	Type, Remarks
1	17-8469	cap		black
2	19-4125	reducing piece		only necessary if pos. 10 has a diameter of 133 mm.
3	15-4146	bow		
4	28-2545	collar	95,5 ø x 55	white
5	23-5750	screw		
6	25-9955	cap		
7	-	pitched roof tile		only available as part of Acc.-no. 9076
8	-	flat roof tile		only available as part of Acc.-no. 9056

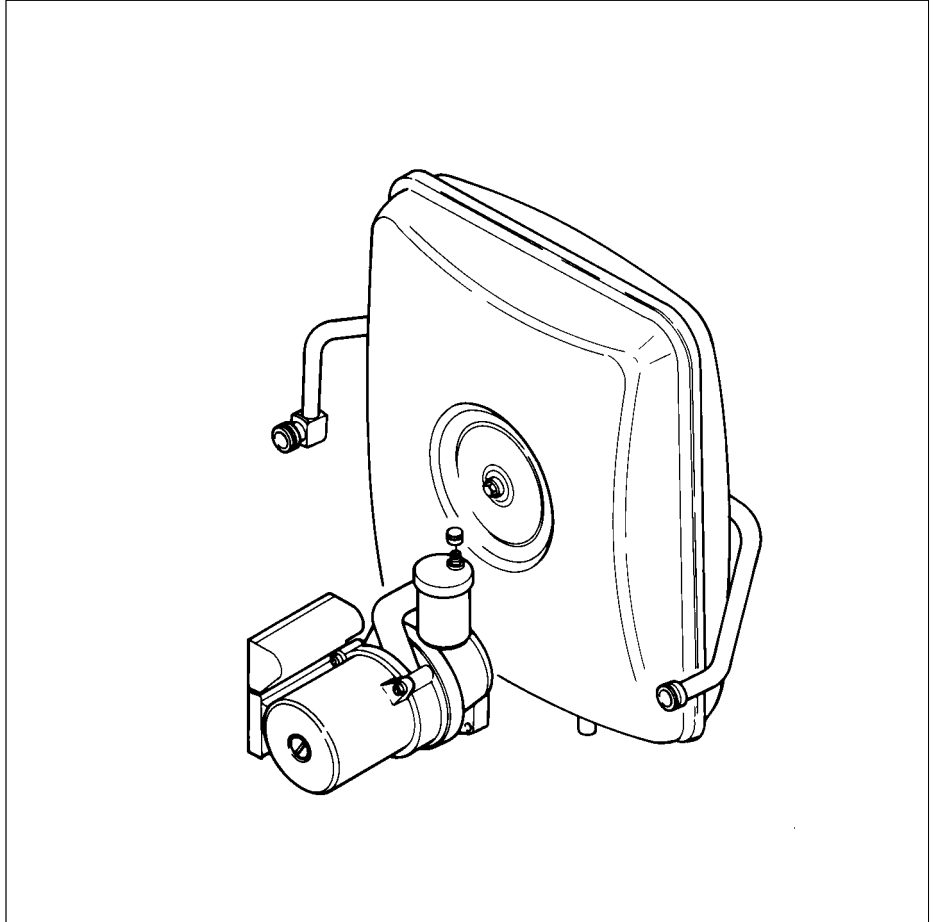
**Main component 07 Individual parts for air/flue system accessories**  
**VU 186, 226 E, VUW 236, 286 E**



**Main component 07 Individual parts for air/flue system accessories  
VU 186, 226 E, VUW 236, 286 E**

Pict. No.	Article-No.	Part	Indic.	Type, Remarks
1	28-2551	collar	95,5 ø x 130	white (for Acc.-no. 300935)
2	28-2547	collar	95,5 ø x 88	white (for Acc.-no. 300931)
3	28-2545	collar	95,5 ø x 55	white (for Acc.-no. 300922,300923,300924,300925,300926,300934,300949)
4	28-2549	collar	95,5 ø x 25	white (for Acc.-no. 300931,300934,300949)
9	08-3368	bush		with part 10 (for Acc.-no. 300931)
10	98-0943	packingring	ø 63	
16	08-3369	bush		with part 10 (for Art.-Nr. 300935)
17	28-4714 -	elbow elbow	45 Grad 90 Grad	with part 10 (for Acc.-no.300949) only available as part of Acc.-no. 300934

## Main component 08



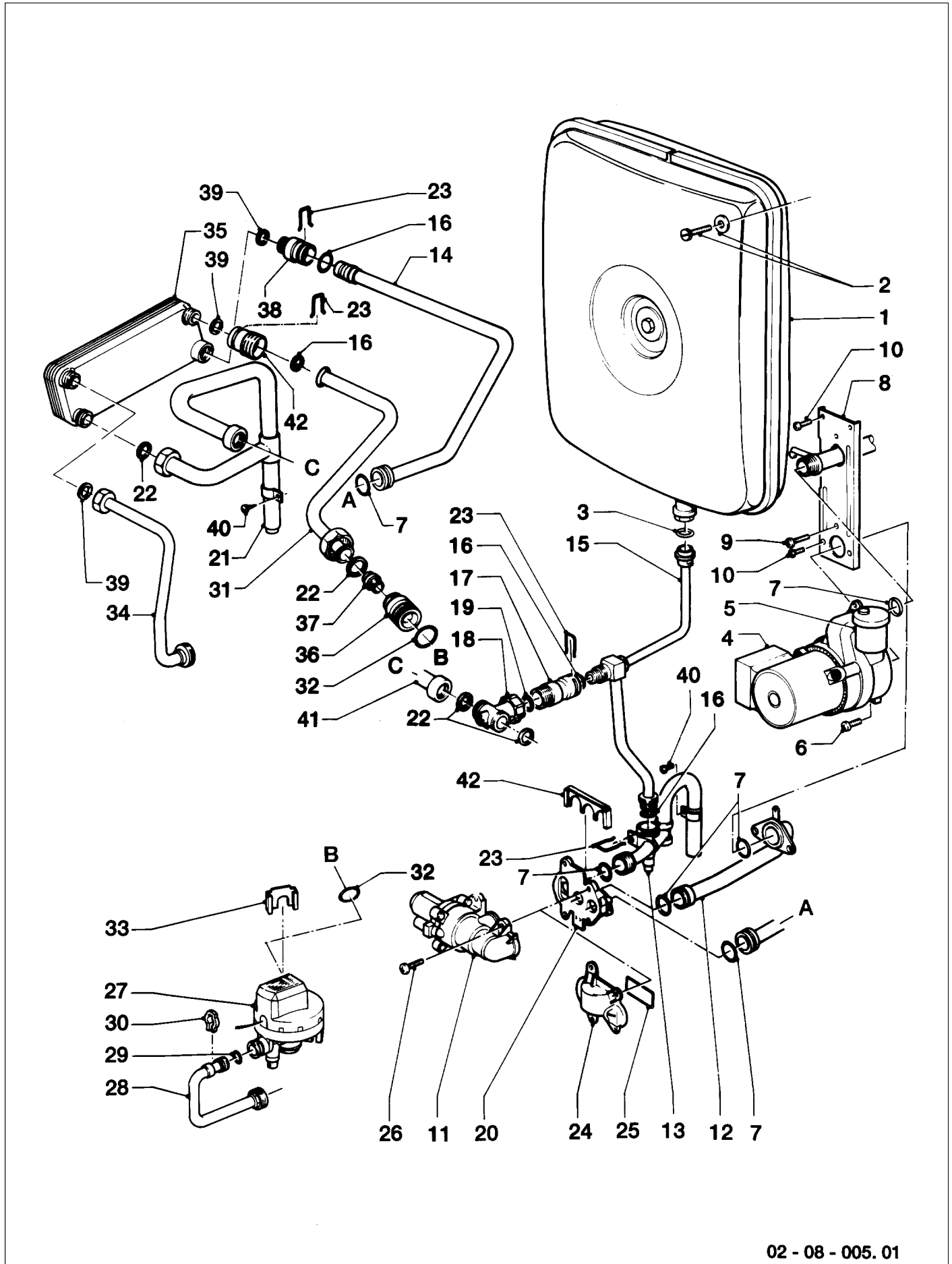
Connection parts  
VU 186, 226 E, VUW 236, 286 E  
Flow switch conduction  
VU 186, 226 E, VUW 236, 286 E

**Page**

36 - 37

38 - 39

**Main component 08 Connection parts**  
**VU 186, 226 E, VUW 236, 286 E**



02 - 08 - 005. 01

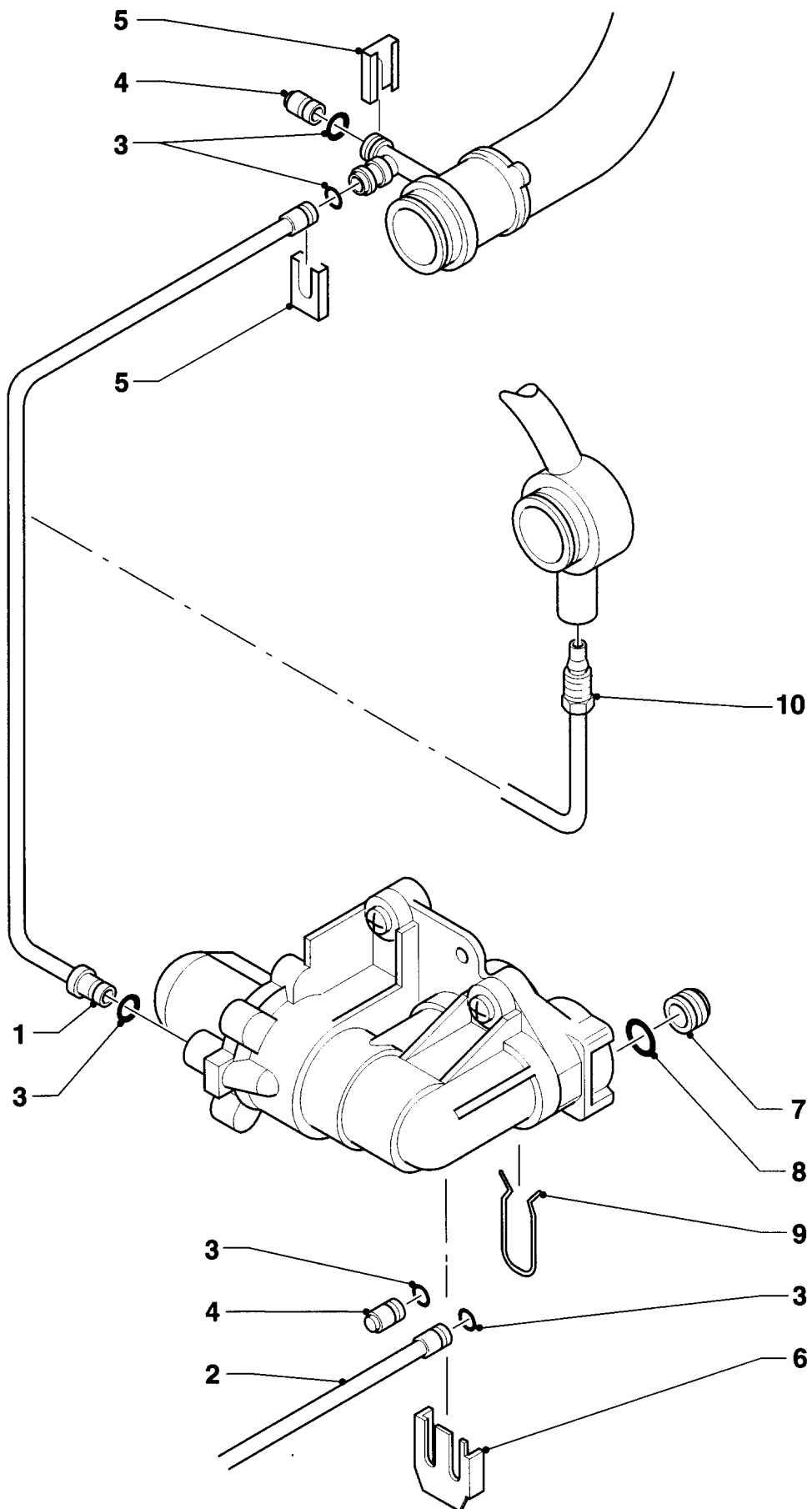
## Main component 08 Connection parts

### VU 186, 226 E, VUW 236, 286 E

Pict. No.	Article-No.	Part	Indic.	Type, Remarks
1	18-1022	expansion vessel		
2	11-6477	screw		
3	98-2495	packingring		
4	16-1083	pump		supplied with parts 5-7
5	06-1707	automatic de-aerator		
6	11-8951	screw		
7	98-2442	packingring		
8	08-5737	support		
9	20-2622	screw		
10	23-5715	screw		
11	-	diverter valve		VUW... (see main component 01)
12	08-9247	connecting tube		
13	08-0712	service tee		
14	08-9024	connecting tube		VUW...
15	08-1082	connection		supplied with part 16
16	98-0287	packingring		
17	15-0232	spill valve	2,5 m	
	15-0224	bypass valve	3,5 m	
	15-0225	bypass valve	1,7 m	
18	12-9231	tee piece		supplied with part 19
19	98-2497	packingring		
20	08-2424	flange		
21	08-9259	connecting tube		VU... (not shown)
	08-9023	connecting tube		VUW...
22	98-1511	packingring		
23	12-6158	retaining bracket		
24	14-7387	cap		VU...
25	98-0976	packingring		VU...
26	11-8946	screw		
27	-	water valve		VUW... (see main component 01)
28	08-0965	connection		supplied with part 29
29	98-0149	o-ring		
30	21-9602	bow		
31	08-9058	connecting tube		
32	98-2331	o-ring		
33	15-4149	bow		
34	08-9022	connecting tube		
35	-	heat exchanger		VUW... (see main component 06)
36	08-7966			
37	01-2952	water quantity limiter		VU 186, VUW 236
	01-2953	water quantity limiter		VU 226, VUW 286
38	13-6387	nipple		
39	98-1508	packingring		
40	07-0334	screw		
41	23-5037	throttle disc		
42	13-6389	nipple		



**Main component 08 Flow switch conduction**  
**VU 186, 226 E, VUW 236, 286 E**

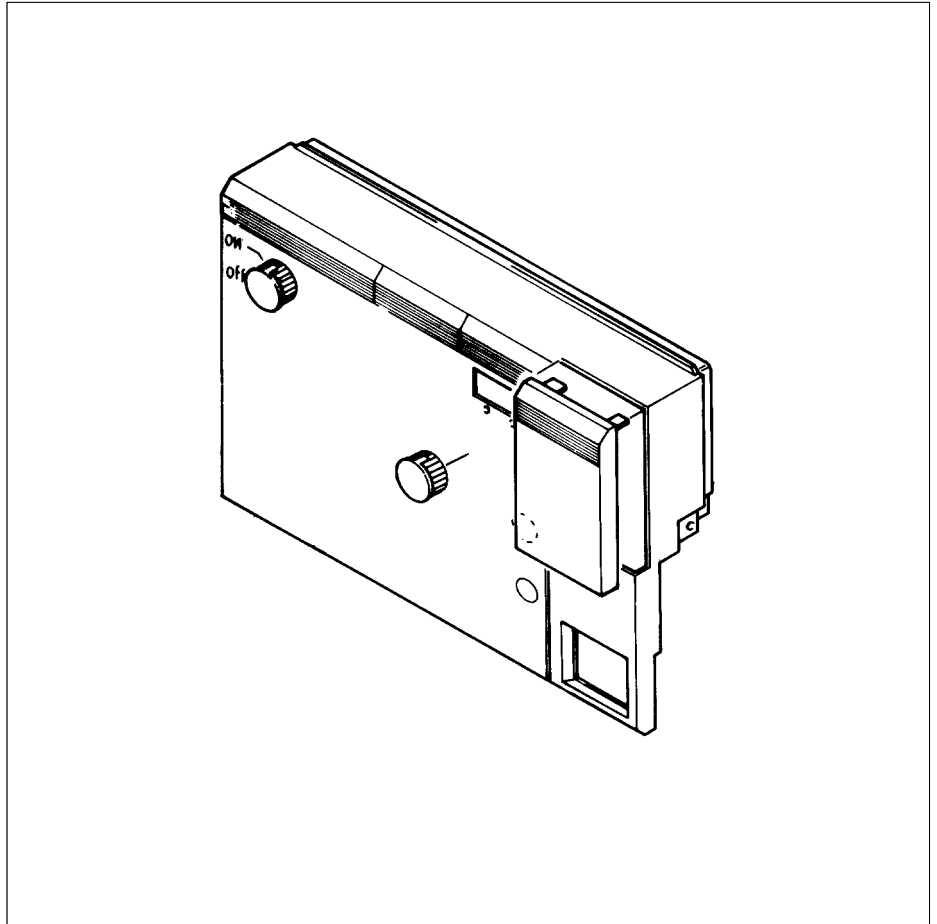


02 - 08 - 002 - 01

**Main component 08 Flow switch conduction**  
**VU 186, 226 E, VUW 236, 286 E**

Pict. No.	Article-No.	Part	Indic.	Type, Remarks
1	08-8975	flow switch conduction		VUW... (supplied with part 3)
2	08-8959	flow switch conduction		manometer (supplied with part 3)
3	98-2490	packingring		
4	10-9914	plug		supplied with part 3
5	08-5751	support		
6	08-5752	support		
7	10-9921	plug		supplied with part 8
8	98-0305	packingring		
9	15-4150	bow		

## Main component 12



Control box (Housing)	
VU 186, 226 E, VUW 236, 286 E	
Control box (Printed circuits)	
VU 186, 226 E, VUW 236, 286 E	
Switch box	
VU 186, 226 E, VUW 236, 286 E	

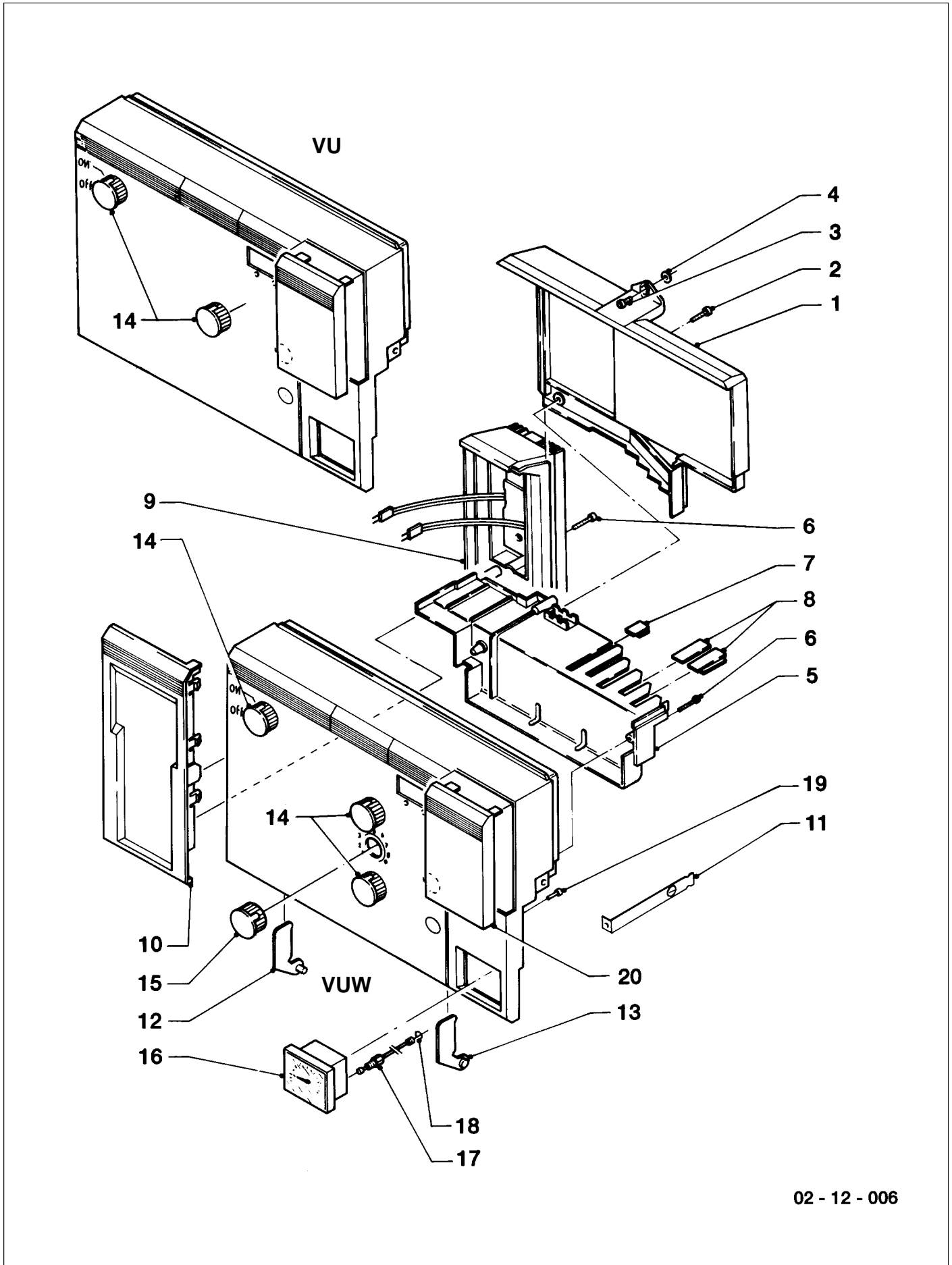
### Page

42 - 43

44 - 45

46 - 47

**Main component 12 Control box (Housing)**  
**VU 186, 226 E, VUW 236, 286 E**

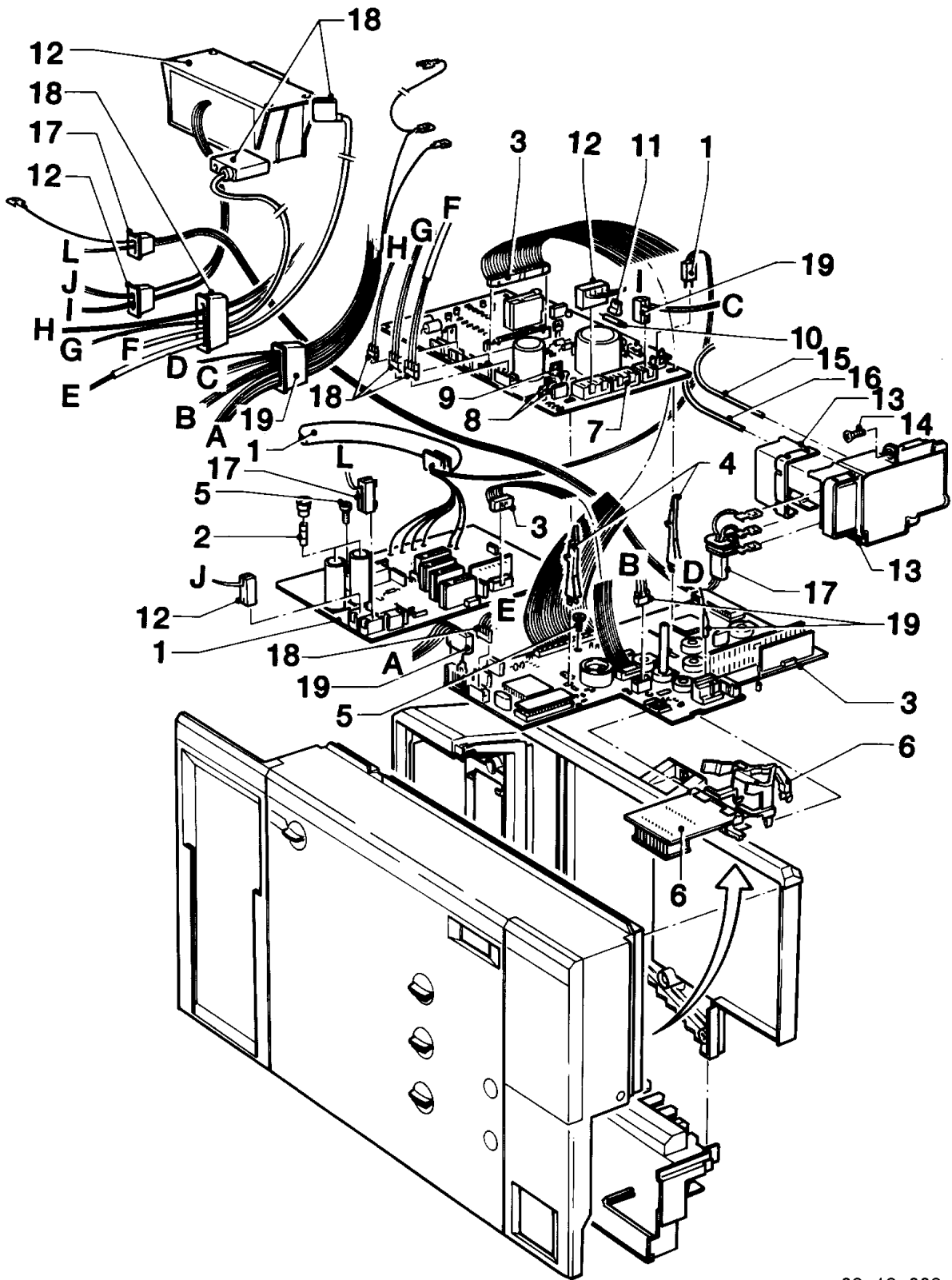


02 - 12 - 006

**Main component 12 Control box (Housing)**  
**VU 186, 226 E, VUW 236, 286 E**

Pict. No.	Article-No.	Part	Indic.	Type, Remarks
1	29-5046	casing		supplied with parts 2-4
2	13-8920	screw		
3	13-8918	screw		
4	11-5507	safety disc		
5	29-5080	casing		
6	13-9226	screw		
7	13-9438	plug	12 mm	
8	13-9439	plug	16 mm	
	13-9440	plug	20 mm	
9	13-0376	printed circuit		cooling unit rectifier board
10	20-8557	covering plate		
11	07-8516	bracket		
12	28-7207	hinge		OFF-ON/Heating-Hot water/Temperature-Hot water Temperature-Radiator
13	28-7206	hinge		
14	14-3995	knob		
15	14-3992	knob		
16	10-1250	manometer		
17	08-8959	flow switch conduction		supplied with part 18
18	98-2490	packingring		
19	13-9225	screw		
20	20-9576	cover		

**Main component 12 Control box (Printed circuits)**  
VU 186, 226 E, VUW 236, 286 E

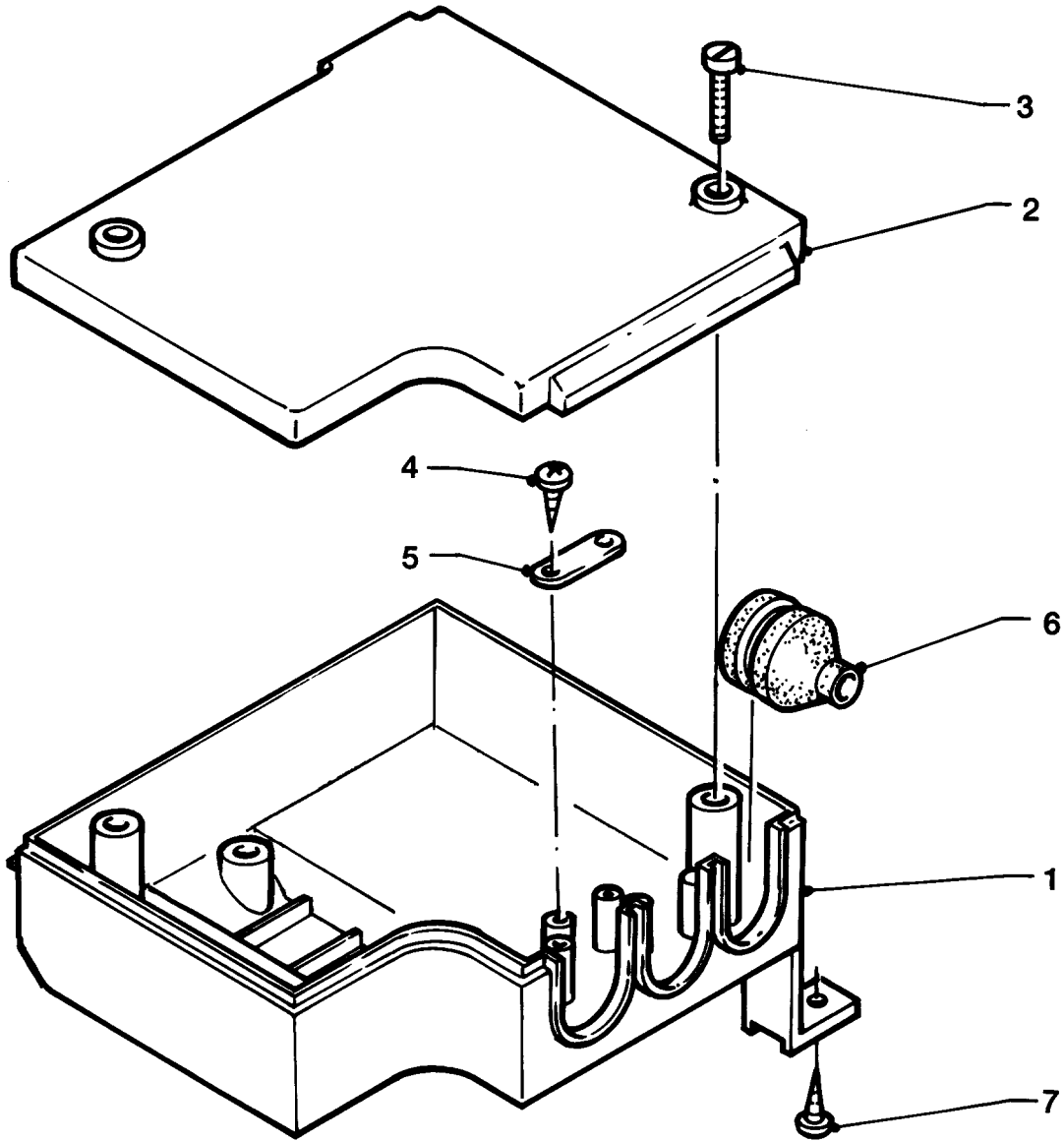


02-12-002

**Main component 12 Control box (Printed circuits)**  
**VU 186, 226 E, VUW 236, 286 E**

Pict. No.	Article-No.	Part	Indic.	Type, Remarks
1	13-0383	printed circuit		relay board (supplied with part 2)
2	13-0037	fuse (2.0 A/250 V)		
3	13-0393	printed circuit		CPU
4	28-0233	clip		
5	13-9228	screw		
6	13-0374	printed circuit		LCD display
7	13-0375	printed circuit		mother board (supplied with parts 8-11)
8	73-3217	fuse	1,0 A T	
9	73-3218	fuse	5,0 A T	
10	73-1302	fuse	0,1 A F	
11	72-0733	fuse clamp		
12	28-7438	transformer		
13	09-1246	ignition transformer		
14	07-0334	screw		
15-16	73-3244	ignition wire		ignition transformer
17	73-3176	cable		
18	73-3680	cable tree		VU... (gas section/pressure control)
	73-3325	cable tree		VUW... (gas section/pressure control/diverter valve/water valve)
19	73-3678	cable tree		VU... (flue fan/ntc-sensor/monitoring wire)
	73-3677	cable tree		VUW... (flue fan/ntc-sensor/monitoring wire)

**Main component 12 Switch box**  
**VU 186, 226 E, VUW 236, 286 E**



02 - 12 - 007



**Main component 12 Switch box  
VU 186, 226 E, VUW 236, 286 E**

Pict. No.	Article-No.	Part	Indic.	Type, Remarks
1	12-1113	switch box		supplied with parts 2-7
2	07-6068	cover		supplied with part 3
3	13-8920	screw		
4	13-9226	screw		
5	18-8675	clamp		
6	20-1859	cable grommet		
7	23-5755	screw		